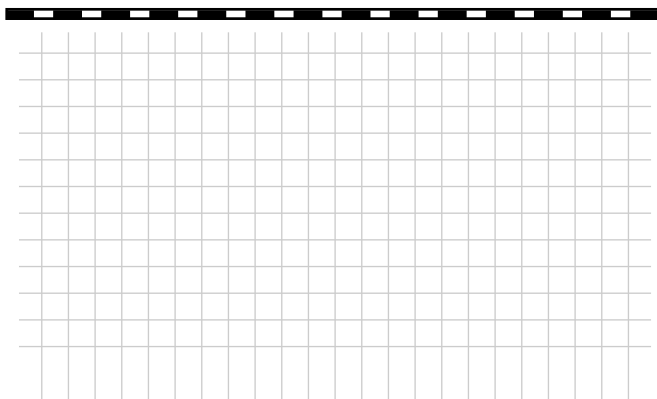


Chemical Piping Dimensional Data

PVDF Socket Fittings

*Corrosion Resistant Fluid and
Air Handling Systems.*

SIMTECH



Chemical Piping Systems - Dimensional Data

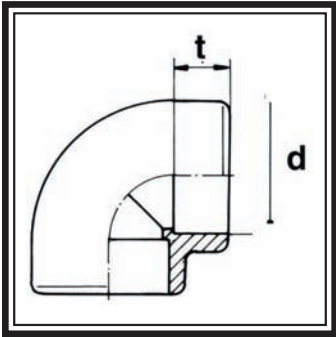
TABLE OF CONTENTS

PVDF

Socket Weld Fittings

Adapters: Female	11
Adapters: Male	10
Cap: Dome	8
Coupling	4
Elbows: 90°	2
Elbows: 45°	3
Reducer	6
Stub End	7
Tee	5
Union	9

Chemical Piping Systems - Dimensional Data



Elbow: 90°

Description: Elbow - 90°
PN16/SR232

Material: PVDF

Execution: Molded

Connection: Socket Fusion

Nominal Size	Actual OD Size	d in	t1 in	z in	Weight lbs	SIMTECH Part #
3/8"	0.630 (16mm)	0.630	0.512	0.630	0.033	PF07010016
1/2"	0.787 (20mm)	0.787	0.571	0.787	0.046	PF07010020
3/4"	0.984 (25mm)	0.984	0.630	0.984	0.068	PF07010025
1"	1.260 (32mm)	1.260	0.713	1.260	0.108	PF07010032
1 1/4"	1.575 (40mm)	1.575	0.807	1.575	0.198	PF07010040
1 1/2"	1.969 (50mm)	1.969	0.925	1.969	0.295	PF07010050
2"	2.480 (63mm)	2.480	1.079	2.480	0.552	PF07010063
2 1/2"	2.953 (75mm)	2.953	1.220	2.953	0.616	PF07010075
3"	3.543 (90mm)	3.543	1.398	3.543	1.100	PF07010090
4"	4.331 (110mm)	4.331	1.634	4.331	1.903	PF07010110

Chemical Piping Systems - Dimensional Data

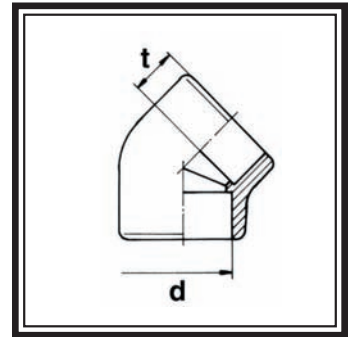
Elbow: 45°

Description: Elbow - 45°
PN16/SR232

Material: PVDF

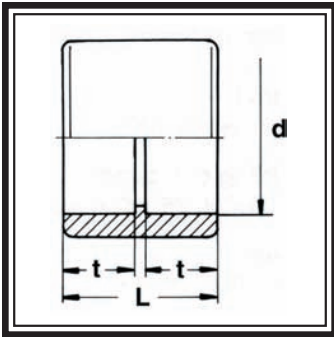
Execution: Molded

Connection: Socket Fusion



Nominal Size	Actual OD Size	d in	t1 in	z in	Weight lbs	SIMTECH Part #
3/8"	0.630 (16mm)	0.630	0.512	0.630	0.009	PF07020016
1/2"	0.787 (20mm)	0.787	0.571	0.787	0.042	PF07020020
3/4"	0.984 (25mm)	0.984	0.630	0.984	0.059	PF07020025
1"	1.260 (32mm)	1.260	0.713	1.260	0.088	PF07020032
1 1/4"	1.575 (40mm)	1.575	0.807	1.575	0.165	PF07020040
1 1/2"	1.969 (50mm)	1.969	0.925	1.969	0.242	PF07020050
2"	2.480 (63mm)	2.480	1.079	2.480	0.403	PF07020063
2 1/2"	2.953 (75mm)	2.953	1.220	2.953	0.473	PF07020075
3"	3.543 (90mm)	3.543	1.398	3.543	0.781	PF07020090
4"	4.331 (110mm)	4.331	1.634	4.331	1.342	PF07020110

Chemical Piping Systems - Dimensional Data



Coupling

Description: Coupling
PN16/SR232

Material: PVDF

Execution: Molded

Connection: Socket Fusion

Nominal Size	Actual OD Size	d in	t1 in	L in	Weight lbs	SIMTECH PART #
3/8"	0.630 (16mm)	0.630	0.512	1.142	0.220	PF07110016
1/2"	0.787 (20mm)	0.787	0.571	1.260	0.031	PF07110020
3/4"	0.984 (25mm)	0.984	0.630	1.378	0.046	PF07110025
1"	1.260 (32mm)	1.260	0.713	1.535	0.062	PF07110032
1 1/4"	1.575 (40mm)	1.575	0.807	1.732	0.103	PF07110040
1 1/2"	1.969 (50mm)	1.969	0.925	1.969	0.174	PF07110050
2"	2.480 (63mm)	2.480	1.079	2.283	0.290	PF07110063
2 1/2"	2.953 (75mm)	2.953	1.220	2.598	0.370	PF07110075
3"	3.543 (90mm)	3.543	1.398	2.992	0.662	PF07110090
4"	4.331 (110mm)	4.331	1.634	3.465	0.935	PF07110110

Chemical Piping Systems - Dimensional Data

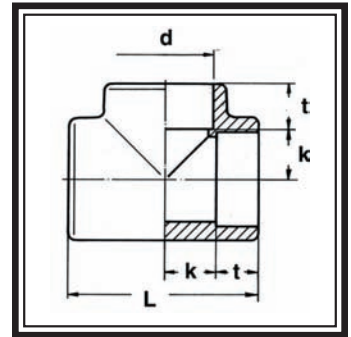
Tee

Description: Tee
PN16/SR232

Material: PVDF

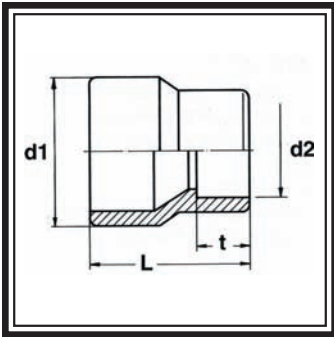
Execution: Molded

Connection: Socket Fusion



Nominal Size	Actual OD Size	d in	L in	t1 in	z in	Weight lbs	SIMTECH Part #
3/8"	0.630 (16mm)	0.630	1.693	0.512	0.866	0.044	PF07030016
1/2"	0.787 (20mm)	0.787	2.008	0.571	1.004	0.064	PF07030020
3/4"	0.984 (25mm)	0.984	2.323	0.630	1.161	0.099	PF07030025
1"	1.260 (32mm)	1.260	2.756	0.713	1.378	0.141	PF07030032
1 1/4"	1.575 (40mm)	1.575	3.268	0.807	1.634	0.246	PF07030040
1 1/2"	1.969 (50mm)	1.969	3.898	0.925	1.949	0.370	PF07030050
2"	2.480 (63mm)	2.480	4.724	1.079	2.362	0.684	PF07030063
2 1/2"	2.953 (75mm)	2.953	5.472	1.220	2.736	0.770	PF07030075
3"	3.543 (90mm)	3.543	6.417	1.398	3.209	1.320	PF07030090
4"	4.331 (110mm)	4.331	7.677	1.634	3.839	2.266	PF07030110

Chemical Piping Systems - Dimensional Data



Reducer Bushing

Description: Reducer Bushing
PN16/SR232

Material: PVDF

Execution: Molded

Connection: Socket Fusion

Nominal Size	Actual OD Size	d1 in	d2 in	t1 in	L in	Weight lbs	SIMTECH Part #
½" x ¾"	0.787 (20mm) x 0.630 (16mm)	0.787	0.630	1.063	0.512	0.033	PF07040020016
¾" x 1½"	0.984 (25mm) x 0.787 (20mm)	0.984	0.787	1.220	0.571	0.048	PF07040025020
1" x ¾"	1.260 (32mm) x 0.984 (25mm)	1.260	0.984	1.457	0.630	0.070	PF07040032025
1¼" x ¾"	1.575 (40mm) x 0.984 (25mm)	1.575	0.984	1.732	0.630	0.106	PF07040040025
1¼" x 1"	1.575 (40mm) x 1.260 (32mm)	1.575	1.260	1.732	0.709	0.134	PF07040040032
1½" x 1"	1.969 (50mm) x 1.260 (32mm)	1.969	1.260	2.067	0.709	0.158	PF07040050032
1½" x 1¼"	1.969 (50mm) x 1.575 (40mm)	1.969	1.575	2.067	0.807	0.220	PF07040050040
2" x 1"	2.480 (63mm) x 1.260 (32mm)	2.480	1.260	2.500	0.709	0.251	PF07040063032
2" x 1½"	2.480 (63mm) x 1.969 (50mm)	2.480	1.969	2.500	0.925	0.370	PF07040063050
2½" x 2"	2.953 (75mm) x 2.480 (63mm)	2.953	2.480	2.776	1.083	0.451	PF07040075063
3" x 2"	3.543 (90mm) x 2.480 (63mm)	3.543	2.480	3.287	1.083	0.757	PF07040090063
3" x 2½"	3.543 (90mm) x 2.953 (75mm)	3.543	2.953	3.287	1.181	0.693	PF07040090075
4" x 3"	4.331 (110mm) x 3.543 (90mm)	4.331	3.543	3.957	1.299	1.144	PF07040110090

Chemical Piping Systems - Dimensional Data

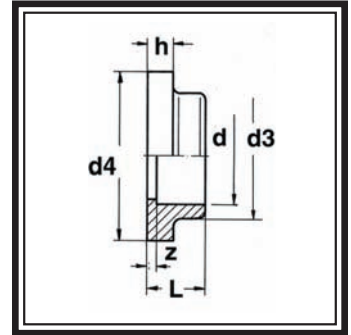
Stub End

Description: Stub End
PN16/SR232

Material: PVDF

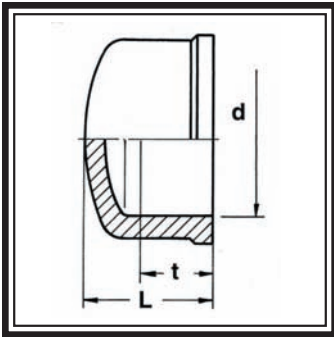
Execution: Molded

Connection: Socket Fusion



Nominal Size	Actual OD Size	d in	d5 in	d6 in	t1 in	b in	Weight lbs	SIMTECH Part #
½"	0.787 (20mm)	0.787	1.024	1.732	0.571	0.394	0.040	PF07060020
¾"	0.984 (25mm)	0.984	1.260	2.126	0.630	0.394	0.055	PF07060025
1"	1.260 (32mm)	1.260	1.535	2.480	0.709	0.394	0.070	PF07060032
1¼"	1.575 (40mm)	1.575	1.890	2.874	0.807	0.433	0.143	PF07060040
1½"	1.969 (50mm)	1.969	2.362	3.228	0.925	0.472	0.213	PF07060050
2"	2.480 (63mm)	2.480	2.835	3.976	1.083	0.551	0.334	PF07060063
2½"	2.953 (75mm)	2.953	2.559	4.173	1.181	0.394	0.352	PF07060075
3"	3.543 (90mm)	3.543	4.173	4.921	1.299	0.433	0.473	PF07060090
4"	4.331 (110mm)	4.331	4.882	5.906	1.457	0.472	0.792	PF07060110

Chemical Piping Systems - Dimensional Data



Cap: Dome

Description: End Cap
PN16/SR232

Material: PVDF

Execution: Molded

Connection: Socket Fusion

Nominal Size	Actual OD Size	d in	t1 in	L in	Weight lbs	SIMTECH Part #
3/8"	0.630 (16mm)	0.630	0.512	0.768	0.022	PF07090016
1/2"	0.787 (20mm)	0.787	0.571	0.886	0.024	PF07090020
3/4"	0.984 (25mm)	0.984	0.630	1.063	0.037	PF07090025
1"	1.260 (32mm)	1.260	0.713	1.220	0.057	PF07090032
1 1/4"	1.575 (40mm)	1.575	0.807	1.417	0.086	PF07090040
1 1/2"	1.969 (50mm)	1.969	0.925	1.693	0.141	PF07090050
2"	2.480 (63mm)	2.480	1.079	2.047	0.207	PF07090063
2 1/2"	2.953 (75mm)	2.953	1.220	2.323	0.306	PF07090075
3"	3.543 (90mm)	3.543	1.398	2.717	0.554	PF07090090
4"	4.331 (110mm)	4.331	1.634	3.228	0.906	PF07090110

Chemical Piping Systems - Dimensional Data

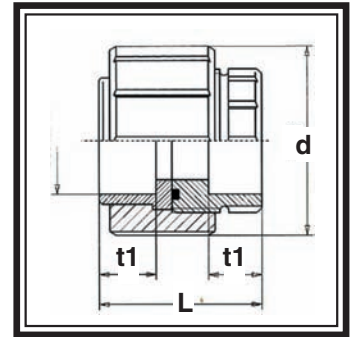
Union

Description: Union with Viton O-Ring
PN16/SR232

Material: PVDF

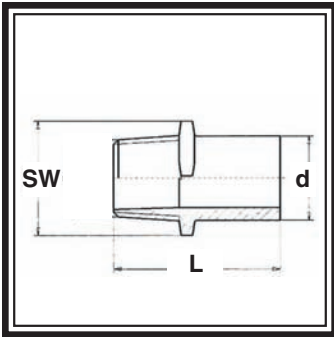
Execution: Molded

Connection: Butt Fusion



Nominal Size	Actual OD Size	d in	D in	L in	t1 in	Weight lbs	Simtech Part #
½"	0.787 (20mm)	0.787	2.028	2.047	0.571	0.150	PF07060020
¾"	0.984 (25mm)	0.984	2.402	2.205	0.630	0.200	PF07060025
1"	1.260 (32mm)	1.260	2.756	2.402	0.713	0.297	PF07060032
1¼"	1.575 (40mm)	1.575	3.189	2.717	0.807	0.438	PF07060040
1½"	1.969 (50mm)	1.969	3.583	2.992	0.925	0.576	PF07060050
2"	2.480 (63mm)	2.480	4.331	3.346	1.098	0.913	PF07060063

Chemical Piping Systems - Dimensional Data



Male Adapter

Description: Threaded Male Adapter
PPN16/SR232

Material: PVDF

Execution: Molded

Connection: Butt Fusion

Nominal Size	Actual OD Size	d in	L in	sw in	Weight lbs	SIMTECH PART #
½"	0.787 (20mm)	0.787	1.732	0.945	0.026	PF07150020
¾"	0.984 (25mm)	0.984	1.811	1.181	0.037	PF07150025
1"	1.260 (32mm)	1.260	2.008	1.417	0.088	PF07150032
1¼"	1.575 (40mm)	1.575	2.205	1.811	0.090	PF07150040
1½"	1.969 (50mm)	1.969	2.402	2.165	0.136	PF07150050
2"	2.480 (63mm)	2.480	2.717	2.559	0.220	PF07150063

Chemical Piping Systems - Dimensional Data

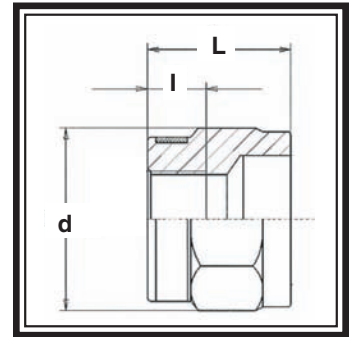
Female Adapter

Description: Threaded Female Adapter
PN16/SR232

Material: PVDF

Execution: Molded

Connection: Butt Fusion



Nominal Size	Actual OD Size	d in	L in	sw in	Weight lbs	Simtech Part #
½"	0.787 (20mm)	0.787	1.378	1.260	0.040	PF07140020
¾"	0.984 (25mm)	0.984	1.535	1.417	0.068	PF07140025
1"	1.260 (32mm)	1.260	1.772	1.811	0.088	PF07140032
1¼"	1.575 (40mm)	1.575	2.087	2.165	0.119	PF07140040
1½"	1.969 (50mm)	1.969	2.126	2.559	0.264	PF07140050
2"	2.480 (63mm)	2.480	2.441	3.150	2.640	PF07140063

Chemical Piping Systems - Dimensional Data

NOTES:

Chemical PipingSystems - **Dimensional Data**

NOTES:

Chemical Piping Systems - Dimensional Data

Simtech Industrial Products, Inc.

47-A Runway Road, Levittown, PA 19057
Phone: 215-547-0444 Fax: 215-547-9129
E-mail: info@simtechUSA.com
Web site: www.simtechUSA.com

WARRANTY

Simtech Industrial Products, Inc. products are warranted to be free from defects in materials and workmanship for one (1) year from date of shipment. No claim shall be permitted under this warranty unless Buyer gives Simtech Industrial Products, Inc. written notice of all respects in which Buyer claims the product to be defective. Notice must be received within ten (10) days from the date which the Buyer discovers, or should have discovered the defect. Buyer shall give Simtech Industrial Products, Inc. a reasonable opportunity to inspect the product after notice has been given. This warranty shall not apply to any products or components, which have been subjected to abnormal use, negligence or accident.

Seller's sole obligation under this warranty shall be limited solely on the repair or replacement, as elected by Simtech Industrial Products, Inc., of defective or nonconforming material. To the maximum extent permitted by law, Buyer irrevocably waives all claims for money damages relating to the condition, use and performance of the goods purchased. In no event shall Simtech Industrial Products, Inc. liability exceed the purchase price of the product sold by Simtech Industrial Products, Inc.

In no event, whether because of a breach of warranty or representation or any other cause, whether based upon contract, tort, warranty or otherwise, arising out of the performance or nonperformance by seller of its obligations under this agreement or with respect to the products sold pursuant here to; shall seller be liable for lost earnings, income or profits or indirect, incidental, liquidated or consequential damages.

The implied warranties of merchantability and fitness for a particular purpose except as set forth in this warranty, express or implied, are hereby disclaimed and excluded. Nothing shall be construed as an additional warranty unless specifically designated as such in writing and signed by Simtech Industrial Products, Inc.

Simtech Industrial Products, Inc. reserves the right, in its discretion, at any time and from time to time, to make changes to any specification, data or information contained herein.