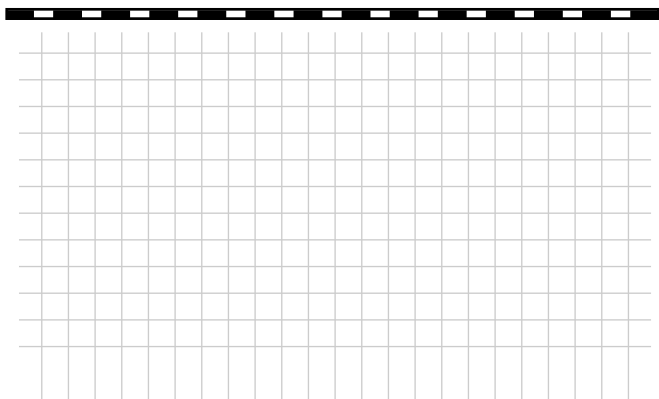


Chemical Piping Dimensional Data

PVDF Butt Fusion Fittings

*Corrosion Resistant Fluid and
Air Handling Systems.*

SIMTECH



Chemical PipingSystems - **Dimensional Data**

TABLE OF CONTENTS

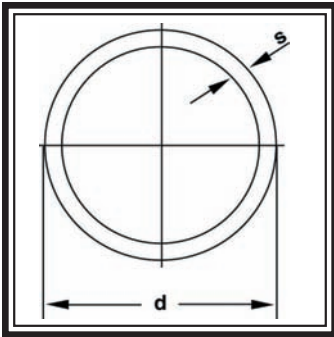
PVDF

Pipe.....	2
Liner Pipe With Pretreated Surface	3
Liner Pipe With Out Pretreated Surface.....	3

Butt Weld Fittings

Adapters: Female	12
Adapters: Male.....	12
Backing Rings	13
Elbow: 90°	4
Elbow: 45°	5
Reducer: Concentric	8
Reducer: Eccentric	9
Stub Ends	10
Tee: Standard	6
Tee: Reduced	7
Union	11

Chemical Piping Systems - Dimensional Data



PRESSURE PIPE

Description: Pressure Pipe
PN16/SR232, PN10/SR150

Material: PVDF

Execution: Extruded, Stress Relieved

Connection: Butt Fusion

PN 16 / SDR 21							
Nominal Size	Actual OD Size	ID Size in	d in	s in	Weight lbs/m	Weight lbs/Ft	Simtech Part #
3/8"	0.630 (16mm)	0.480	0.630	0.075	0.359	0.112	PF06000016
1/2"	0.787 (20mm)	0.638	0.787	0.075	0.462	0.144	PF06000020
3/4"	0.984 (25mm)	0.835	0.984	0.075	0.592	0.185	PF06000025
1"	1.260 (32mm)	1.071	1.260	0.094	0.957	0.299	PF06000032
1 1/4"	1.575 (40mm)	1.386	1.575	0.094	1.239	0.387	PF06000040
1 1/2"	1.969 (50mm)	1.732	1.969	0.118	1.870	0.584	PF06000050
2"	2.480 (63mm)	2.244	2.480	0.118	2.398	0.749	PF06000063
2 1/2"	2.953 (75mm)	2.669	2.953	0.142	3.410	1.066	PF06000075
3"	3.543 (90mm)	3.205	3.543	0.169	4.884	1.526	PF06000090
4"	4.331 (110mm)	3.913	4.331	0.209	7.326	2.289	PF06000110
4 1/2"	4.921 (125mm)	4.449	4.921	0.236	9.350	2.922	PF06000125
5"	5.512 (140mm)	4.984	5.512	0.264	11.682	3.651	PF06000140
6"	6.299 (160mm)	5.693	6.299	0.303	15.180	4.744	PF06000160

PN 10 / SDR 33							
Nominal Size	Actual OD Size	ID Size in	d in	s in	Weight lbs/m	Weight lbs/Ft	Simtech Part #
2"	2.480 (63mm)	2.323	2.480	0.079	1.646	0.514	PF05000063
2 1/2"	2.953 (75mm)	2.772	2.953	0.091	2.266	0.708	PF05000075
3"	3.543 (90mm)	3.323	3.543	0.110	3.256	1.018	PF05000090
4"	4.331 (110mm)	4.063	4.331	0.134	4.840	1.513	PF05000110
4 1/2"	4.921 (125mm)	4.614	4.921	0.154	6.248	1.953	PF05000125
5"	5.512 (140mm)	5.173	5.512	0.169	7.744	2.420	PF05000140
6"	6.299 (160mm)	5.913	6.299	0.193	9.988	3.121	PF05000160
7"	7.087 (180mm)	6.654	7.087	0.217	12.628	3.946	PF05000180
8"	7.874 (200mm)	7.386	7.874	0.244	15.818	4.943	PF05000200
9"	8.858 (225mm)	8.315	8.858	0.272	19.690	6.153	PF05000225
10"	9.843 (250mm)	9.236	9.843	0.303	24.420	7.631	PF05000250
11"	11.024 (280mm)	10.346	11.024	0.339	30.580	9.556	PF05000280
12"	12.402 (315mm)	11.638	12.402	0.382	38.720	12.100	PF05000315

Chemical Piping Systems - Dimensional Data

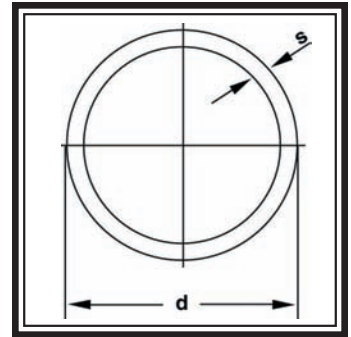
LINER PIPE

Description: Liner Pipe

Material: PVDF

Execution: Extruded, Stress Relieved

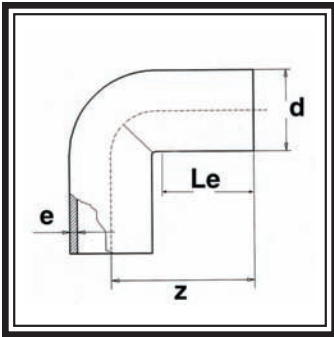
Connection: Butt Fusion



With Pretreated Surface							
Nominal Size	Actual OD Size	ID Size in	d in	s in	Weight lbs/m	Weight Lbs/FT	SIMTECH Part #
1"	1.260 (32mm)	1.071	1.260	0.094	0.957	0.750	PF1000032
1¼"	1.575 (40mm)	1.386	1.575	0.094	1.219	0.750	PF1000040
1½"	1.969 (50mm)	1.732	1.969	0.118	1.817	0.938	PF1000050
2"	2.480 (63mm)	2.244	2.480	0.118	2.398	0.938	PF1000063
2½"	2.953 (75mm)	2.717	2.953	0.118	2.882	0.938	PF1000075
3"	3.543 (90mm)	3.307	3.543	0.118	3.476	0.938	PF1000090
4"	4.331 (110mm)	4.094	4.331	0.118	4.268	0.938	PF1000110
4½"	4.921 (125mm)	4.685	4.921	0.118	4.862	0.938	PF1000125
6"	6.299 (160mm)	6.063	6.299	0.118	6.270	0.938	PF1000160
8"	7.874 (200mm)	7.638	7.874	0.118	7.876	0.938	PF1000200
10"	9.843 (250mm)	9.606	9.843	0.118	9.856	0.938	PF1000250
11"	11.024 (280mm)	10.748	11.024	0.138	12.914	1.094	PF1000280
12"	12.402 (315mm)	12.087	12.402	0.157	16.456	1.250	PF1000315
14"	13.976 (355mm)	13.583	13.976	0.197	23.100	1.563	PF1000355
16"	15.748 (400mm)	15.354	15.748	0.197	25.960	1.563	PF1000400

With Out Pretreated Surface							
Nominal Size	Actual OD Size	ID Size in	d in	s in	Weight lbs/m	Weight lbs/FT	SIMTECH Part#
2½"	2.953 (75mm)	2.717	2.953	0.118	2.882	0.901	PF9000075
3"	3.543 (90mm)	3.307	3.543	0.118	3.476	1.086	PF9000090
4"	4.331 (110mm)	4.094	4.331	0.118	4.268	1.334	PF9000110
4½"	4.921 (125mm)	4.685	4.921	0.118	4.862	1.519	PF9000125
6"	6.299 (160mm)	6.063	6.299	0.118	6.270	1.959	PF9000160
8"	7.874 (200mm)	7.638	7.874	0.118	7.876	2.461	PF9000200
10"	9.843 (250mm)	9.606	9.843	0.118	9.856	3.080	PF9000250
11"	11.024 (280mm)	10.748	11.024	0.138	12.914	4.036	PF9000280
12"	12.402 (315mm)	12.087	12.402	0.157	16.434	5.136	PF9000315
14"	13.976 (355mm)	13.583	13.976	0.197	23.100	7.219	PF9000355
16"	15.748 (400mm)	15.354	15.748	0.197	25.960	8.113	PF9000400

Chemical Piping Systems - Dimensional Data



Elbow 90° - Extended Leg

Description: Elbow 90° - Extended Leg
PN16/SR232, PN10/SR150

Material: PVDF

Execution: Molded

Connection: Butt Fusion

PN 16 / SDR 21								
Nominal Size	Actual OD Size	ID Size in	d in	s in	Le in	z in	Weight lbs	SIMTECH Part #
½"	0.787 (20mm)	0.64	0.787	0.075	0.984	1.496	0.059	PF06150020
¾"	0.984 (25mm)	0.83	0.984	0.075	1.024	1.654	0.084	PF06150025
1"	1.260 (32mm)	1.07	1.260	0.094	1.024	1.811	0.150	PF06150032
1¼"	1.575 (40mm)	1.39	1.575	0.094	1.102	2.008	0.198	PF06150040
1½"	1.969 (50mm)	1.73	1.969	0.118	1.102	2.283	0.378	PF06150050
2"	2.480 (63mm)	2.24	2.480	0.118	1.102	2.598	0.543	PF06150063
2½"	2.953 (75mm)	2.67	2.953	0.142	2.953	4.528	0.873	PF06150075
3"	3.543 (90mm)	3.20	3.543	0.169	3.150	6.929	1.925	PF06150090
4"	4.331 (110mm)	3.91	4.331	0.209	3.228	7.874	3.168	PF06150110
4½"	4.921 (125mm)	4.45	4.921	0.236	3.425	8.465	4.312	PF06150125
5"	5.512 (140mm)	4.98	5.512	0.264	3.622	9.449	5.962	PF06150140
6"	6.299 (160mm)	5.69	6.299	0.303	3.937	10.630	8.646	PF06150160
8"	7.874 (200mm)	7.12	7.874	0.378	4.409	12.795	16.038	PF06150200
9"	8.858 (225mm)	8.01	8.858	0.425	4.724	14.173	22.506	PF06150225

PN 10 / SDR 33								
Nominal Size	Actual OD Size	ID Size in	d in	s in	Le in	z in	Weight lbs	SIMTECH Part #
3"	3.543 (90mm)	3.32	3.543	0.110	3.150	6.929	1.342	PF05150090
4"	4.331 (110mm)	4.06	4.331	0.134	3.228	7.874	2.299	PF05150110
4½"	4.921 (125mm)	4.61	4.921	0.154	3.425	8.465	3.300	PF05150125
5"	5.512 (140mm)	5.17	5.512	0.169	3.622	9.449	2.112	PF05150140
6"	6.299 (160mm)	5.91	6.299	0.193	3.937	10.630	6.270	PF05150160
8"	7.874 (200mm)	7.39	7.874	0.244	4.409	12.795	11.616	PF05150200
9"	8.858 (225mm)	8.31	8.858	0.272	4.724	14.173	16.302	PF05150225

Chemical Piping Systems - Dimensional Data

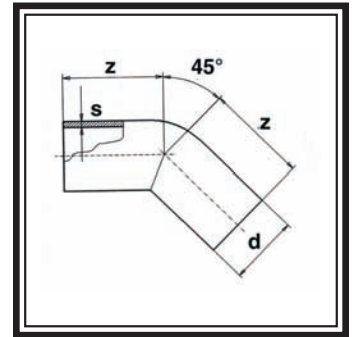
Elbow 45° - Extended Leg

Description: Elbow 45° - Extended Leg
PN16/SR232, PN10/SR150

Material: PVDF

Execution: Molded

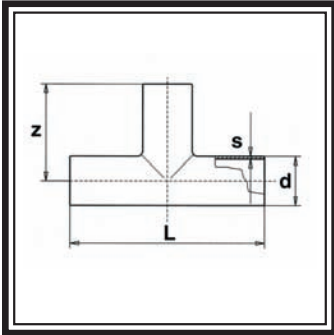
Connection: Butt Fusion



PN 16 / SDR 21								
Nominal Size	Actual OD Size	ID Size in	d in	s in	Le in	z in	Weight lbs	SIMTECH Part #
½"	0.787 (20mm)	0.638	0.787	0.075	1.457	1.811	0.066	PF06160020
¾"	0.984 (25mm)	0.835	0.984	0.075	1.575	1.929	0.066	PF06160025
1"	1.260 (32mm)	1.071	1.260	0.094	1.732	2.205	0.117	PF06160032
1¼"	1.575 (40mm)	1.386	1.575	0.094	1.929	2.480	0.183	PF06160040
1½"	1.969 (50mm)	1.732	1.969	0.118	2.165	2.874	0.328	PF06160050
2"	2.480 (63mm)	2.244	2.480	0.118	2.480	3.307	0.460	PF06160063
2½"	2.953 (75mm)	2.669	2.953	0.142	2.756	3.740	0.726	PF06160075
3"	3.543 (90mm)	3.205	3.543	0.169	3.110	4.331	1.210	PF06160090
4"	4.331 (110mm)	3.913	4.331	0.209	3.228	4.567	1.903	PF06160110
4½"	4.921 (125mm)	4.449	4.921	0.236	3.425	4.803	2.552	PF06160125
5"	5.512 (140mm)	4.984	5.512	0.264	3.622	5.118	3.410	PF06160140
6"	6.299 (160mm)	5.693	6.299	0.303	3.858	5.433	4.532	PF06160160

PN 10 / SDR 33								
Nominal Size	Actual OD Size	ID Size in	d in	s in	Le in	z in	Weight lbs	SIMTECH Part #
3"	3.543 (90mm)	3.32	3.543	0.110	3.110	4.331	0.913	PF05150090
4"	4.331 (110mm)	4.06	4.331	0.134	3.228	4.567	1.408	PF05150110
4½"	4.921 (125mm)	4.61	4.921	0.154	3.425	4.803	1.892	PF05150125
5"	5.512 (140mm)	5.17	5.512	0.169	3.622	5.118	2.530	PF05150140
6"	6.299 (160mm)	5.91	6.299	0.193	3.858	5.433	3.355	PF05150160
8"	7.874 (200mm)	7.39	7.874	0.244	4.409	6.260	4.400	PF05150200
9"	8.858 (225mm)	8.31	8.858	0.272	4.724	6.890	8.536	PF05150225

Chemical Piping Systems - Dimensional Data



Tee - Extended Leg

Description: Tee - Extended Leg
PN16/SR232, PN10/SR150

Material: PVDF

Execution: Molded

Connection: Butt Fusion

PN 16 / SDR 21									
Nominal Size	Actual OD Size	ID Size in	d in	s in	L in	Le in	z in	Weight lbs	SIMTECH Part #
½"	0.787 (20mm)	0.638	0.787	0.075	4.016	1.457	2.008	0.079	PF06030020
¾"	0.984 (25mm)	0.835	0.984	0.075	4.409	1.575	2.205	0.110	PF06030025
1"	1.260 (32mm)	1.071	1.260	0.094	5.118	1.732	2.559	0.213	PF06030032
1¼"	1.575 (40mm)	1.386	1.575	0.094	5.906	1.929	2.953	0.301	PF06030040
1½"	1.969 (50mm)	1.732	1.969	0.118	6.772	2.165	3.386	0.524	PF06030050
2"	2.480 (63mm)	2.244	2.480	0.118	7.874	2.480	3.937	0.783	PF06030063
2½"	2.953 (75mm)	2.669	2.953	0.142	9.055	2.756	4.528	1.155	PF06030075
3"	3.543 (90mm)	3.205	3.543	0.169	10.236	3.110	5.118	1.914	PF06030090
4"	4.331 (110mm)	3.913	4.331	0.209	11.339	3.228	5.669	3.135	PF06030110
4½"	4.921 (125mm)	4.449	4.921	0.236	12.598	3.425	6.299	3.740	PF06030125
5"	5.512 (140mm)	4.984	5.512	0.264	13.780	3.622	6.890	5.632	PF06030140
6"	6.299 (160mm)	5.692	6.299	0.303	14.961	3.858	7.480	4.334	PF06030160

PN 10 / SDR 33									
Nominal Size	Actual OD Size	ID Size in	d in	s in	L in	Le in	z in	Weight lbs	SIMTECH Part #
3"	3.543 (90mm)	3.323	3.543	0.110	10.236	3.110	5.118	1.298	PF05030090
4"	4.331 (110mm)	4.063	4.331	0.134	11.339	3.228	5.669	2.156	PF05030110
4½"	4.921 (125mm)	4.614	4.921	0.154	12.598	3.425	6.299	3.740	PF05030125
5"	5.512 (140mm)	5.173	5.512	0.169	13.780	3.622	6.890	4.356	PF05030140
6"	6.299 (160mm)	5.913	6.299	0.193	14.961	3.858	7.480	5.786	PF05030160
8"	7.874 (200mm)	7.386	7.874	0.244	17.638	4.409	8.819	10.406	PF05030200
9"	8.858 (225mm)	8.315	8.858	0.272	19.449	4.724	9.724	14.784	PF05030225

Chemical Piping Systems - Dimensional Data

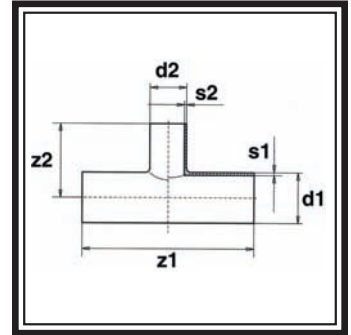
Tee: Reducer - Extended Leg

Description: Tee: Reducer - Extended Leg
PN10/SR150

Material: PVDF

Execution: Molded

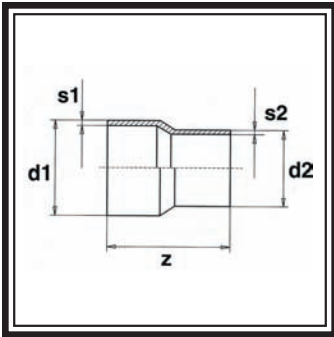
Connection: Butt Fusion



PN 10 / SDR 33							
Nominal Size	Actual OD Size	d1 in	d2 in	s1 in	s2 in	L in	Le2 in
6" x 3"	6.299 (160mm) x 3.543 (90mm)	6.299	3.543	0.193	0.110	12.283	3.307
6" x 4"	6.299 (160mm) x 4.331 (110mm)	6.299	4.331	0.193	0.134	12.992	3.386
9" x 3"	8.858 (225mm) x 3.543 (90mm)	8.858	3.543	0.272	0.110	14.567	3.268
9" x 4"	8.858 (225mm) x 4.331 (110mm)	8.858	4.331	0.272	0.134	15.354	3.346

PN 10 / SDR 33						
Nominal Size	Actual OD Size	Le1 in	z1 in	z2 in	Weight lbs	SIMTECH Part #
6" x 3"	6.299 (160mm) x 3.543 (90mm)	4.331	6.142	6.535	0.074	PF0503160090
6" x 4"	6.299 (160mm) x 4.331 (110mm)	4.213	6.496	6.654	0.081	PF0503160110
9" x 3"	8.858 (225mm) x 3.543 (90mm)	5.315	7.283	7.874	0.169	PF0503225090
9" x 4"	8.858 (225mm) x 4.331 (110mm)	5.236	7.677	7.992	0.179	PF0503225110

Chemical Piping Systems - Dimensional Data



Reducer: Concentric - Extended Leg

Description: Reducer: Concentric - Extended Leg
PN16/SR232, PN10/SR150

Material: PVDF

Execution: Molded

Connection: Butt Fusion

PN 16 / SDR 21										
Nom. Size	Actual OD Size	d1 in	d2 in	s1 in	s2 in	Le1 in	Le2 in	z in	Weight bs	SIMTECH Part #
¾" x ½"	0.984 (25mm) x 0.787 (20mm)	0.984	0.787	0.075	0.075	1.575	1.457	3.346	0.053	PF0604025020
1" x ½"	1.260 (32mm) x 0.787 (20mm)	1.260	0.787	0.094	0.075	1.732	1.457	3.937	0.088	PF0604032020
1" x ¾"	1.260 (32mm) x 0.984 (25mm)	1.260	0.984	0.094	0.075	1.732	1.575	3.937	0.092	PF0604032025
1¼" x ½"	1.575 (40mm) x 0.787 (20mm)	1.575	0.787	0.094	0.075	1.929	1.457	4.134	0.117	PF0604040020
1¼" x ¾"	1.575 (40mm) x 0.984 (25mm)	1.575	0.984	0.094	0.075	1.929	1.575	4.134	0.119	PF0604040025
1¼" x 1"	1.575 (40mm) x 1.260 (32mm)	1.575	1.260	0.094	0.094	1.929	1.732	4.134	0.134	PF0604040032
1½" x ¾"	1.969 (50mm) x 0.984 (25mm)	1.969	0.984	0.118	0.075	2.165	1.575	4.528	0.189	PF0604050025
1½" x 1"	1.969 (50mm) x 1.260 (32mm)	1.969	1.260	0.118	0.094	2.165	1.732	4.528	0.205	PF0604050032
1½" x 1¼"	1.969 (50mm) x 1.575 (40mm)	1.969	1.575	0.118	0.094	2.165	1.929	4.528	0.216	PF0604050040
2" x 1"	2.480 (63mm) x 1.260 (32mm)	2.480	1.260	0.118	0.094	2.480	1.732	5.512	0.312	PF0604063032
2" x 1¼"	2.480 (63mm) x 1.575 (40mm)	2.480	1.575	0.118	0.094	2.480	1.929	5.512	0.323	PF0604063040
2" x 1½"	2.480 (63mm) x 1.969 (50mm)	2.480	1.969	0.118	0.118	2.480	2.165	5.315	0.341	PF0604063050
2½" x 1¼"	2.953 (75mm) x 1.575 (40mm)	2.953	1.575	0.142	0.094	2.756	1.929	5.709	0.425	PF0604075040
2½" x 1½"	2.953 (75mm) x 1.969 (50mm)	2.953	1.969	0.142	0.118	2.756	2.165	5.906	0.458	PF0604075050
2½" x 2"	2.953 (75mm) x 2.480 (63mm)	2.953	2.480	0.142	0.118	2.756	2.480	6.102	0.499	PF0604075063
3" x 1½"	3.543 (90mm) x 1.969 (50mm)	3.543	1.969	0.169	0.118	3.110	2.165	6.378	0.682	PF0604090050
3" x 2"	3.543 (90mm) x 2.480 (63mm)	3.543	2.480	0.169	0.118	3.110	2.480	6.693	0.722	PF0604090063
3" x 2½"	3.543 (90mm) x 2.953 (75mm)	3.543	2.953	0.169	0.142	3.110	2.756	7.008	0.812	PF0604090075
4" x 2"	4.331 (110mm) x 2.480 (63mm)	4.331	2.480	0.209	0.118	3.228	2.480	7.283	1.067	PF0604110063
4" x 2½"	4.331 (110mm) x 2.953 (75mm)	4.331	2.953	0.209	0.142	3.228	2.756	7.480	1.166	PF0604110075
4" x 3"	4.331 (110mm) x 3.543 (90mm)	4.331	3.543	0.209	0.169	3.228	3.110	7.677	1.276	PF0604110090
4½" x 3"	4.921 (125mm) x 3.543 (90mm)	4.921	3.543	0.236	0.169	3.425	3.110	8.268	-	PF0604125090
4½" x 4"	4.921 (125mm) x 4.331 (110mm)	4.921	4.331	0.236	0.209	3.425	3.228	8.268	-	PF0604125110
6" x 3"	6.299 (160mm) x 3.543 (90mm)	6.299	3.543	0.303	0.169	3.858	3.110	9.449	-	PF0604160090
6" x 4"	6.299 (160mm) x 4.331 (110mm)	6.299	4.331	0.303	0.209	3.858	3.228	9.449	-	PF0604160110
6" x 4½"	6.299 (160mm) x 4.921 (125mm)	6.299	4.921	0.303	0.236	3.858	3.425	9.449	-	PF0604160125
6" x 5"	6.299 (160mm) x 5.512 (140mm)	6.299	5.512	0.303	0.264	3.858	3.622	9.449	-	PF0604160140

Chemical Piping Systems - Dimensional Data

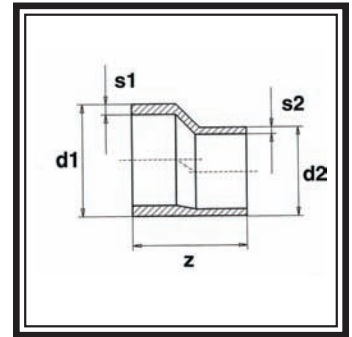
Reducer: Eccentric - Extended Leg

Description: Reducer: Eccentric - Extended Leg
PN16/SR232

Material: PVDF

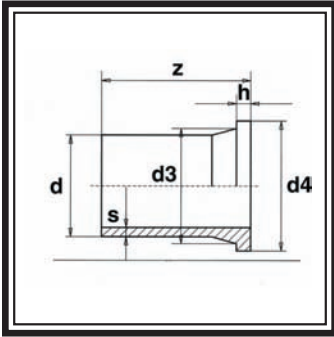
Execution: Molded

Connection: Butt Fusion



PN 16 / SDR 21										
Nominal Size	Actual OD Size	d1 in	d2 in	s1 in	s2 in	Le2 in	Le1 in	z in	Weight lbs	SIMTECH Part #
¾" x ½"	0.984 (25mm) x 0.787 (20mm)	0.984	0.787	0.075	0.075	1.457	1.575	3.346	0.046	PF0630025020
1" x ½"	1.260 (32mm) x 0.787 (20mm)	1.260	0.787	0.094	0.075	1.457	1.732	3.937	0.073	PF0630032020
1¼" x ½"	1.575 (40mm) x 0.787 (20mm)	1.575	0.787	0.094	0.075	1.457	1.929	4.134	0.097	PF0630040020
1" x ¾"	1.260 (32mm) x 0.984 (25mm)	1.260	0.984	0.094	0.075	1.575	1.732	3.937	0.079	PF0630032025
1¼" x ¾"	1.575 (40mm) x 0.984 (25mm)	1.575	0.984	0.094	0.075	1.575	1.929	4.134	0.099	PF0630040025
1¼" x 1"	1.575 (40mm) x 1.260 (32mm)	1.575	1.260	0.094	0.094	1.732	1.929	4.134	0.114	PF0630040032
1½" x 1"	1.969 (50mm) x 1.260 (32mm)	1.969	1.260	0.118	0.094	1.732	2.165	4.528	0.174	PF0630050032
2" x 1"	2.480 (63mm) x 1.260 (32mm)	2.480	1.260	0.118	0.094	1.732	2.480	5.512	0.264	PF0630630032
1½" x 1¼"	1.969 (50mm) x 1.575 (40mm)	1.969	1.575	0.118	0.094	1.929	2.165	4.528	0.141	PF0630050040
2" x 1¼"	2.480 (63mm) x 1.575 (40mm)	2.480	1.575	0.118	0.094	1.929	2.480	5.512	0.277	PF0630063040
2" x 1½"	2.480 (63mm) x 1.969 (50mm)	2.480	1.969	0.118	0.118	2.165	2.480	5.512	0.308	PF0530063050

Chemical Piping Systems - Dimensional Data



Stub End - Extended Leg

Description: Stub End - Extended Leg
PN16/SR232, PN10/SR150

Material: PVDF

Execution: Molded

Connection: Butt Fusion

PN 16 / SDR 21

Nominal Size	Actual OD Size	ID Size in	d in	s in	d3 in	d4 in	h1 in	h4 in	z2 in	Weight lbs	SIMTECH Part #
½"	0.787 (20mm)	0.638	0.787	0.075	1.063	1.772	0.236	1.457	2.126	0.084	PF06060020
¾"	0.984 (25mm)	0.835	0.984	0.075	1.299	2.283	0.260	1.575	2.205	0.143	PF06060025
1"	1.260 (32mm)	1.071	1.260	0.094	1.575	2.677	0.276	1.732	2.283	0.211	PF06060032
1¼"	1.575 (40mm)	1.386	1.575	0.094	1.969	3.071	0.295	1.969	2.677	0.299	PF06060040
1½"	1.969 (50mm)	1.732	1.969	0.118	2.402	3.465	0.315	2.165	2.717	0.416	PF06060050
2"	2.480 (63mm)	2.244	2.480	0.118	2.953	4.016	0.354	2.480	2.835	0.616	PF06060063
2½"	2.953 (75mm)	2.669	2.953	0.142	3.425	4.803	0.394	2.756	3.150	0.924	PF06060075
3"	3.543 (90mm)	3.205	3.543	0.169	4.134	5.433	0.457	3.110	3.173	1.375	PF06060090
4"	4.331 (110mm)	3.913	4.331	0.209	4.921	6.220	0.520	3.228	3.197	1.958	PF06060110
4½"	4.921 (125mm)	4.449	4.921	0.236	5.197	6.220	0.520	3.228	3.197	2.640	PF06060125
5"	5.512 (140mm)	4.984	5.512	0.264	6.102	7.402	0.630	3.346	3.543	3.300	PF06060140
6"	6.299 (160mm)	5.693	6.299	0.303	6.890	8.346	0.669	3.858	3.661	3.520	PF06060160
8"	7.874 (200mm)	7.118	7.874	0.378	9.134	10.551	0.866	4.488	4.016	4.180	PF06060200
9"	8.858 (225mm)	8.008	8.858	0.425	9.252	10.551	0.866	4.843	4.016	4.620	PF06060225

Chemical Piping Systems - Dimensional Data

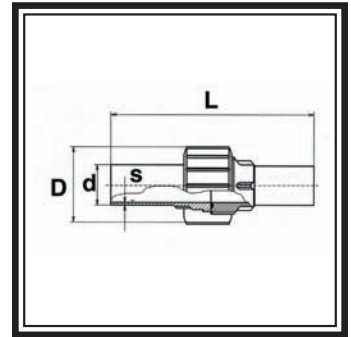
Union - Extended Leg

Description: Union with Viton O-Ring - Extended Leg
PN16/SR232

Material: PVDF

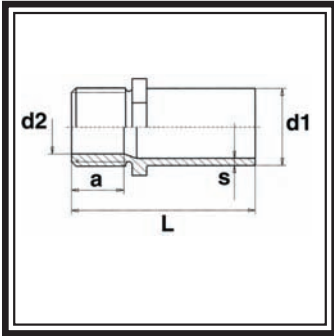
Execution: Molded

Connection: Butt Fusion



PN 16 / SDR 21										
Nominal Size	Actual OD Size	ID Size in	d	s	D	L	Le1	Le2	Weight lbs	SIMTECH Part #
½"	0.787 (20mm)	0.638	0.787	0.075	1.811	4.134	0.945	1.457	0.003	PF06270020
¾"	0.984 (25mm)	0.835	0.984	0.075	2.205	4.331	0.945	1.496	0.005	PF06270025
1"	1.260 (32mm)	1.071	1.260	0.094	2.480	4.646	0.945	1.535	0.007	PF06270032
1¼"	1.575 (40mm)	1.386	1.575	0.094	2.992	4.843	0.945	1.614	0.011	PF06270040
1½"	1.969 (50mm)	1.732	1.969	0.118	3.425	5.079	0.945	1.732	0.015	PF06270050
2"	2.480 (63mm)	2.244	2.480	0.118	4.213	5.315	0.945	1.732	0.023	PF06270063

Chemical Piping Systems - Dimensional Data



Male Adapter - Extended Leg

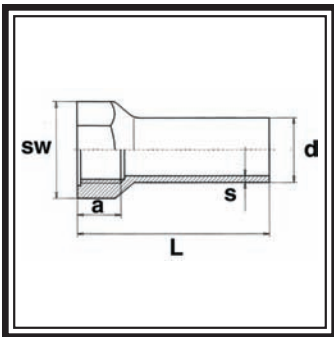
Description: Threaded Male Adapter - Extended Leg
PPN16/SR232

Material: PVDF

Execution: Molded

Connection: Butt Fusion

PN 16 / SDR 21											
Nominal Size	Actual OD Size	ID Size in	d in	e in	a in	d2 in	L in	Le in	sw in	Weight lbs	SIMTECH Part #
½"	0.787 (20mm)	0.638	0.787	0.075	0.591	0.472	2.283	1.457	0.945	0.216	PF06120020
¾"	0.984 (25mm)	0.835	0.984	0.075	0.591	0.669	2.402	1.575	1.063	0.304	PF06120025
1"	1.260 (32mm)	1.071	1.260	0.094	0.748	0.866	2.717	1.732	1.417	0.040	PF06120032
1¼"	1.575 (40mm)	1.386	1.575	0.094	0.787	1.142	2.953	1.929	1.811	0.055	PF06120040
1½"	1.969 (50mm)	1.732	1.969	0.118	0.827	1.339	3.228	2.165	2.165	0.092	PF06120050
2"	2.480 (63mm)	2.244	2.480	0.118	0.866	1.772	3.583	2.480	2.559	0.143	PF06120063



Female Adapter - Extended Leg

Description: Threaded Female Adapter - Extended Leg
PN16/SR232

Material: PVDF

Execution: Molded

Connection: Butt Fusion

PN 16 / SDR 21										
Nominal Size	Actual OD Size	ID Size in	d in	e in	a in	L in	Le in	sw in	Weight lbs	SIMTECH Part #
½"	0.787 (20mm)	0.638	0.787	0.075	0.610	2.283	1.457	1.181	0.066	PF06130020
¾"	0.984 (25mm)	0.835	0.984	0.075	0.709	2.480	1.575	1.417	0.075	PF06130025
1"	1.260 (32mm)	1.071	1.260	0.094	0.827	2.795	1.732	1.811	0.136	PF06130032
1¼"	1.575 (40mm)	1.386	1.575	0.094	0.906	3.110	1.929	2.165	0.187	PF06130040
1½"	1.969 (50mm)	1.732	1.969	0.118	0.945	3.307	2.165	2.362	0.242	PF06130050
2"	2.480 (63mm)	2.244	2.480	0.118	1.142	3.819	2.480	2.953	0.396	PF06130063

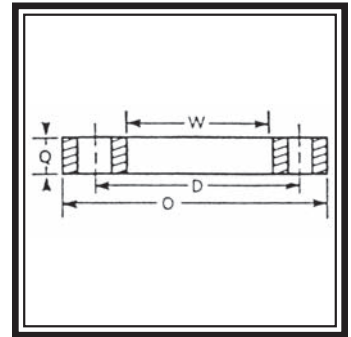
Chemical Piping Systems - Dimensional Data

Backing Ring

Description: Backing Ring
150 lbs. ANSI Drilling

Material: Glass Filled Polypropylene with Steel Core

Execution: Molded



Glass Filled PP with Steel Core											
Nominal	Actual OD	d	DN	b	D	d2	d6	k	#	Weight	SIMTECH
Size	Size	in	in	in	in	in	in	in	Holes	lbs	Part #
½"	0.787 (20mm)	0.787	0.591	0.472	3.740	0.551	1.102	2.559	4	0.535	PP99070020
¾"	0.984 (25mm)	0.984	0.787	0.472	4.173	0.551	1.339	2.953	4	0.671	PP99070025
1"	1.260 (32mm)	1.260	0.984	0.630	4.528	0.551	1.654	3.346	4	1.034	PP99070032
1¼"	1.575 (40mm)	1.575	1.260	0.709	5.512	0.709	2.008	3.937	4	1.558	PP99070040
1½"	1.969 (50mm)	1.969	1.575	0.709	5.906	0.709	2.441	4.331	4	1.727	PP99070050
2"	2.480 (63mm)	2.480	1.969	0.709	6.496	0.709	3.071	4.921	4	1.969	PP99070063
2½"	2.953 (75mm)	2.953	2.559	0.709	7.283	0.709	3.622	5.709	4	2.563	PP99070075
3"	3.543 (90mm)	3.543	3.150	0.787	7.874	0.709	4.252	6.299	8	2.992	PP99070090
4"	4.331 (110mm)	4.331	3.937	0.787	8.661	0.709	5.039	7.087	8	3.729	PP99070110
4½"	4.921 (125mm)	4.921	3.937	0.787	8.661	0.709	5.315	7.087	8	3.256	PP99070125
5"	5.512 (140mm)	5.512	4.921	0.945	9.843	0.709	6.220	8.268	8	5.137	PP99070140
6"	6.299 (160mm)	6.299	5.906	0.945	11.220	0.866	7.008	9.449	8	7.810	PP99070160
7"	7.087 (180mm)	7.087	5.906	0.945	11.220	0.866	7.402	9.449	8	7.084	PP99070180
8"	7.874 (200mm)	7.874	7.874	0.945	13.386	0.866	9.331	11.614	8	10.076	PP99070200
9"	8.858 (225mm)	8.858	7.874	0.945	13.386	0.866	9.449	11.614	8	9.306	PP99070225
10"	9.843 (250mm)	9.843	9.843	1.181	15.945	0.866	11.339	13.780	12	15.840	PP99070250
11"	11.024 (280mm)	11.024	9.843	1.181	15.945	0.866	11.575	13.780	12	15.730	PP99070280
12"	12.402 (315mm)	12.402	11.811	1.339	18.110	0.866	13.307	15.748	12	20.768	PP99070315
14"	13.976 (355mm)	13.976	13.780	1.535	20.157	0.866	14.803	18.110	16	34.254	PP99070355
16"	15.748 (400mm)	15.748	15.748	1.732	22.244	1.024	16.929	20.276	16	43.549	PP99070400
18"	17.717 (450mm)	17.717	19.685	1.732	26.575	1.024	20.984	24.409	20	52.448	PP99070450
20"	19.685 (500mm)	19.685	19.685	1.732	26.575	1.024	20.984	24.409	20	54.395	PP99070500

Chemical Piping Systems - Dimensional Data

Simtech Industrial Products, Inc.

47-A Runway Road, Levittown, PA 19057
Phone: 215-547-0444 Fax: 215-547-9129
E-mail: info@simtechUSA.com
Web site: www.simtechUSA.com

WARRANTY

Simtech Industrial Products, Inc. products are warranted to be free from defects in materials and workmanship for one (1) year from date of shipment. No claim shall be permitted under this warranty unless Buyer gives Simtech Industrial Products, Inc. written notice of all respects in which Buyer claims the product to be defective. Notice must be received within ten (10) days from the date which the Buyer discovers, or should have discovered the defect. Buyer shall give Simtech Industrial Products, Inc. a reasonable opportunity to inspect the product after notice has been given. This warranty shall not apply to any products or components, which have been subjected to abnormal use, negligence or accident.

Seller's sole obligation under this warranty shall be limited solely on the repair or replacement, as elected by Simtech Industrial Products, Inc., of defective or nonconforming material. To the maximum extent permitted by law, Buyer irrevocably waives all claims for money damages relating to the condition, use and performance of the goods purchased. In no event shall Simtech Industrial Products, Inc. liability exceed the purchase price of the product sold by Simtech Industrial Products, Inc.

In no event, whether because of a breach of warranty or representation or any other cause, whether based upon contract, tort, warranty or otherwise, arising out of the performance or nonperformance by seller of its obligations under this agreement or with respect to the products sold pursuant here to; shall seller be liable for lost earnings, income or profits or indirect, incidental, liquidated or consequential damages.

The implied warranties of merchantability and fitness for a particular purpose except as set forth in this warranty, express or implied, are hereby disclaimed and excluded. Nothing shall be construed as an additional warranty unless specifically designated as such in writing and signed by Simtech Industrial Products, Inc.

Simtech Industrial Products, Inc. reserves the right, in its discretion, at any time and from time to time, to make changes to any specification, data or information contained herein.