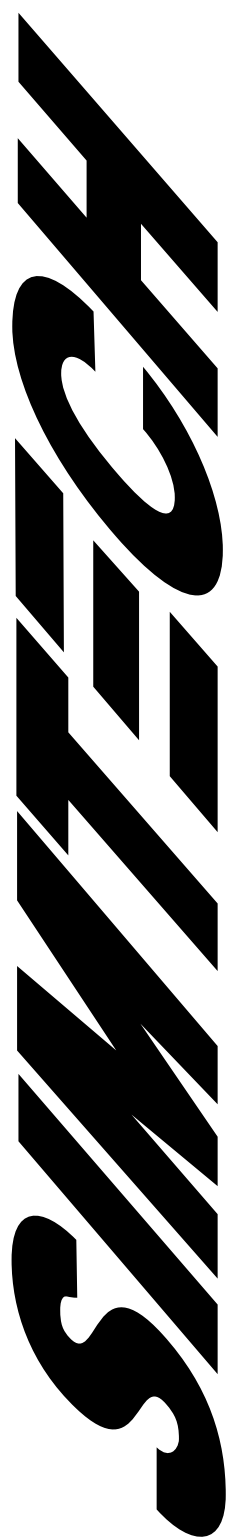
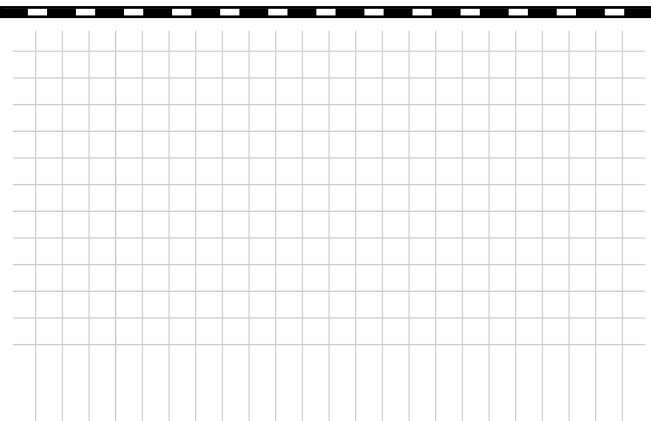


DoubleQuik®

Polypropylene Dimensional Data

*Corrosion Resistant Fluid and
Air Handling Systems.*



DoubleQuik - Dimensional Data

TABLE OF CONTENTS

Cap..... 23

Clean Out..... 22

Combo Lateral (Sanaitry Tee) 16

Elbow: 90° 9

Elbow: 45° 10

End Seal 3

Lateral 14

P-Trap 19

Pipe 8

Pump-Out 25

Reducer 18

Reduced Lateral... 15

Reduced Combo Lateral (Sanaitry Tee) 17

Support 24

Tee 11

Tee: Reducing 12

Tee: w/ Clean Out 13

Termination Fitting 20

Termination Fitting: Flanged 21

Section 1
Material Specification

DoubleQuik - Dimensional Data

SIMTECH GUIDE SPECIFICATION DOUBLE QUIK - DOUBLE CONTAINMENT SYSTEM – ALPHAPLUS

1. GENERAL

All double containment piping shall be factory manufactured. All straight sections, fittings and other accessories shall be factory pre-manufactured to job dimensions to minimize the number of field connections. Components shall be factory assembled to allow for the placement of the leak detection cable. The containment shall be drainable, dryable and air pressure testable. The manufacturer shall have at least ten (10) years experience in the manufacturing of double containment piping systems and offer an integrated sensor cable leak detection/location alarm system. The manufacturer of the secondary containment piping system will provide guidelines to calculate the need for and location of expansion anchors.

2. CARRIER PIPE

Carrier pipe shall be extruded from Group 1, Class 2; Alpha nucleated homopolymer material in accordance with ASTM D-41 01. The alpha nucleated resin shall achieve a minimum tensile strength of 300 bars when tested at 23°C according to ASTM D 638. Material shall allow continuous operating temperatures to 95° C. Alpha nucleated resin shall comply with relevant food substance regulation, U.S. FDA guidelines as specified in Code of Federal Regulators (CFR), Title 21, Chapter 1: Section 177.1520 and Section 178.3297 suitable for contact with foodstuff, pharmaceutical use and potable water. Carrier pipe shall be stress relieved (annealed) by a post extrusion annealing process to ensure that the pipe material will have increased impact resistance, longer life, low shrinkage and dimensional stability required for simultaneous butt fusion welding process.

Carrier pipe shall be pressure rated in accordance with ASTM D-2837 and Din 8077 for hydrostatic design basis. Pipe shall be manufactured to an SDR (standard dimensional ratio) in order to provide the same pressure rating in all diameters. Pipe shall be (select one):

SDR 11	=	150 PSI (PN10)*
SDR 17.6	=	90 PSI (PN6)
SDR 32.5	=	45 PSI (PN3.2)

*PN = Nominal Pressure Rating in Bar

3. CONTAINMENT PIPE

Containment pipe shall be extruded from Group 1, Class 2; Alpha nucleated homopolymer material in accordance with ASTM D-41 01. Alpha nucleated resin shall achieve a minimum tensile strength of 300 bars when tested at 23°C according to ASTM D 638. Material shall allow continuous operating temperatures to 95° C. Alpha nucleated resin shall comply with relevant food substance regulation, US FDA guidelines as specified in Code of Federal Regulators (CFR), Title 21, Chapter 1: Section 177.1520 and Section 178.3297 suitable for contact with foodstuff, pharmaceutical use and potable water.

Containment pipe shall be stress relieved (annealed) by a post extrusion annealing process to ensure that the pipe material will have increased impact resistance, longer life, low shrinkage and dimensional stability required for the simultaneous butt fusion welding process. No socket fusion or electro-fusion joints will be allowed. Carrier pipe shall be pressure rated in accordance with ASTM D-2837 and Din 8077 for hydrostatic design basis. Pipe shall be manufactured to an SDR (standard dimensional ratio) in order to provide the same pressure rating in all diameters. Pipe shall be (select one):

SDR 11	=	150 PSI (PN10)*
SDR 17.6	=	90 PSI (PN6)
SDR 32.5	=	45 PSI (PN3.2)

*PN = Nominal Pressure Rating in Bar

DoubleQuik - Dimensional Data

SIMTECH GUIDE SPECIFICATION DOUBLE QUICK - DOUBLE CONTAINMENT SYSTEM – ALPHAPLUS

4. DIMENSIONS and TOLERANCES

All pipe and fittings shall comply with the dimensions and tolerances outlined in ASTM D-3261. Pipe shall have a 2.5 safety factor for a 50-year life. Pipe shall be furnished in 5-meter (16.4 ft) length.

5. SUBASSEMBLIES

End seals and other subassemblies shall be designed and factory prefabricated to prevent the ingress of moisture into the system. All subassemblies shall be designed to allow for complete draining of the secondary containment.

6. FITTINGS

All fittings shall be injection molded or thermo fused at the factory. All secondary contained fittings shall be of unitized construction with the carrier and containment integrally anchored together to prevent the movement of the carrier relative to the containment within the fitting. Manufacturer will calculate end loads and specify the placement of anchors in the system. Anchors shall be of sufficient thickness to withstand the maximum possible end loads that will be generated by the carrier pipe during the life of the system.

7. INSTALLATION

Factory trained field representatives of the manufacturer shall provide technical field support during critical periods of piping and leak detection system installation including final test of the leak detection/location system. Manufacturer shall certify each field installer on simultaneous butt fusion equipment prior to beginning of project. The contractor shall install the system in accordance with the directions furnished by the manufacturer and as approved by the engineer.

8. TESTING

The containment piping shall be air tested at 5 psig, the carrier pipe shall be hydrostatically tested at 1.5 times operating pressure or 10 feet of head pressure for drainage systems. The test pressures shall be held for not less than one (1) hour. The contractor shall strictly adhere to the installation guidelines supplied by the system manufacturer and shall keep the secondary containment system clean and dry at all times during the installation process

9. BACKFILL

A four (4) inch layer of sand or fine gravel shall be placed and tamped in the trench to provide uniform bedding for the containment pipe. The entire trench shall be evenly backfilled with a similar material as the bedding in six (6) inch compacted layers to a minimum height of six (6) inches above the top of the piping system. The remaining trench shall be evenly and continuously backfilled in uniform layers with suitable excavated soil. Bedding and backfill materials shall be as recommended by the manufacturer.

DoubleQuik - Dimensional Data

NOTES:

Section 2
Dimensional Data

DoubleQuik - Dimensional Data

DOUBLE CONTAINMENT PIPE

Description: Double Containment Pipe

Material: Polypropylene

Connection: Simultaneous Butt-Fusion



NOMINAL PIPE SIZE	D1 in	D2 in	L1 FT	L2 FT	Length Feet	Number Of Clips
1" x 3"	1.26	3.54	3.5	3	16.4	4
1" x 4"	1.26	4.33	3.5	3	16.4	4
1½" x 4"	1.97	4.33	3.5	3	16.4	4
2" x 4"	2.48	4.33	3.5	3	16.4	4
3" x 6"	3.54	6.30	5.25	3	16.4	3
4" x 8"	4.33	7.87	5.25	3	16.4	3
6" x 10"	6.30	9.84	5.25	3	16.4	3
8" x 12"	7.87	12.40	5.25	3	16.4	3
10" x 14"	9.84	13.98	5.25	3	16.4	3
12" x 16"	12.40	15.75	7.5	3.5	16.4	2
14" x 18"	13.98	17.72	7.5	3.5	16.4	3
16" x 20"	15.75	19.69	7.5	3.5	16.4	3

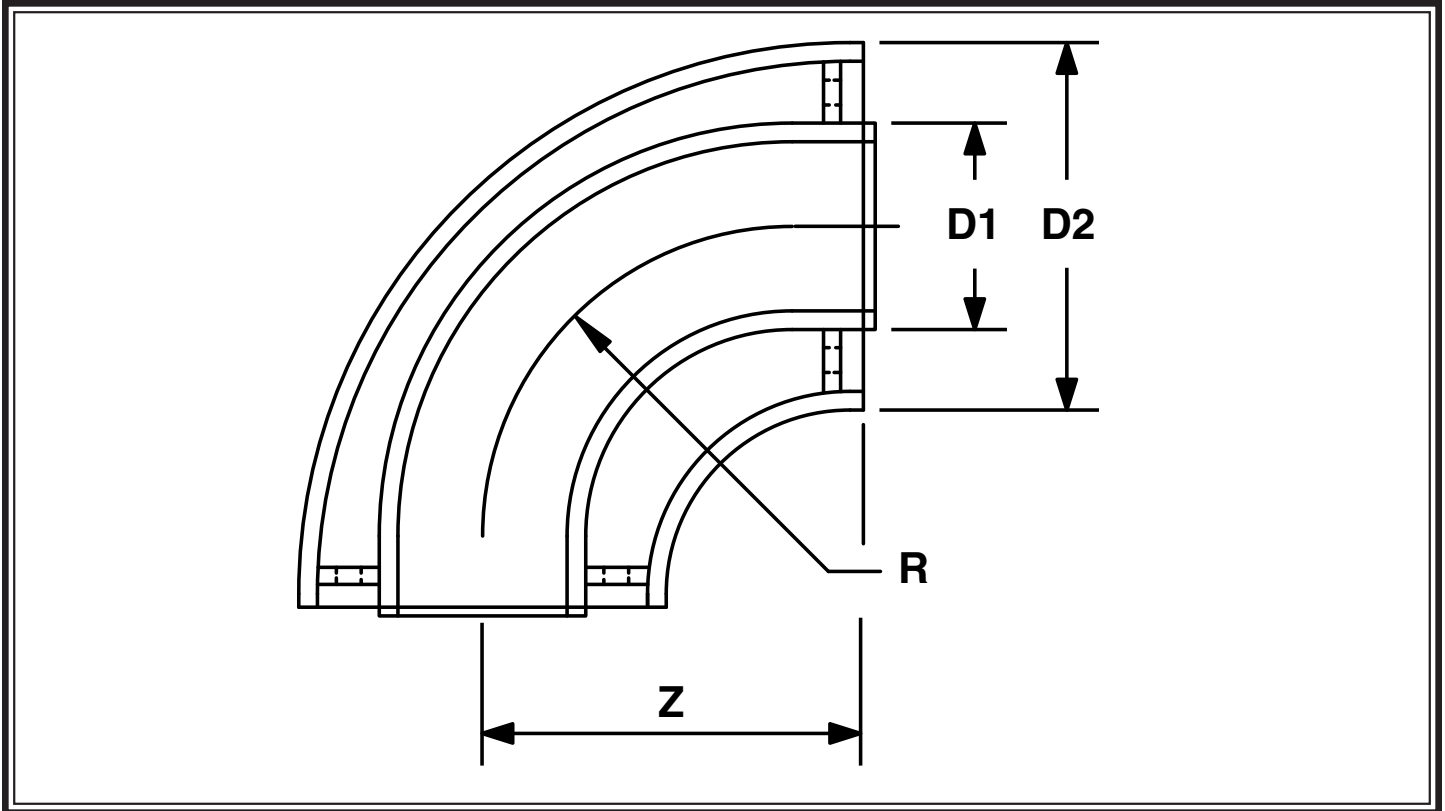
DoubleQuik - Dimensional Data

90° ELBOW

Description: 90° Elbow

Material: Polypropylene

Connection: Simultaneous Butt-Fusion



NOMINAL PIPE SIZE	D1 in	D2 in	R in	Z in
1" x 3"	1.26	3.54	3.54	3.66
1" x 4"	1.26	4.33	4.33	4.53
1½" x 4"	1.97	4.33	4.33	4.53
2" x 4"	2.48	4.33	4.33	4.53
3" x 6"	3.54	6.30	6.30	6.57
4" x 8"	4.33	7.87	7.87	8.11
6" x 10"	6.30	9.84	9.84	10.08
8" x 12"	7.87	12.40	12.40	12.76
10" x 14"	9.84	13.98	13.98	15.16
12" x 16"	12.40	15.75	15.75	17.24
14" x 18"	13.98	17.72	17.72	17.52
16" x 20"	15.75	19.69	19.69	17.52

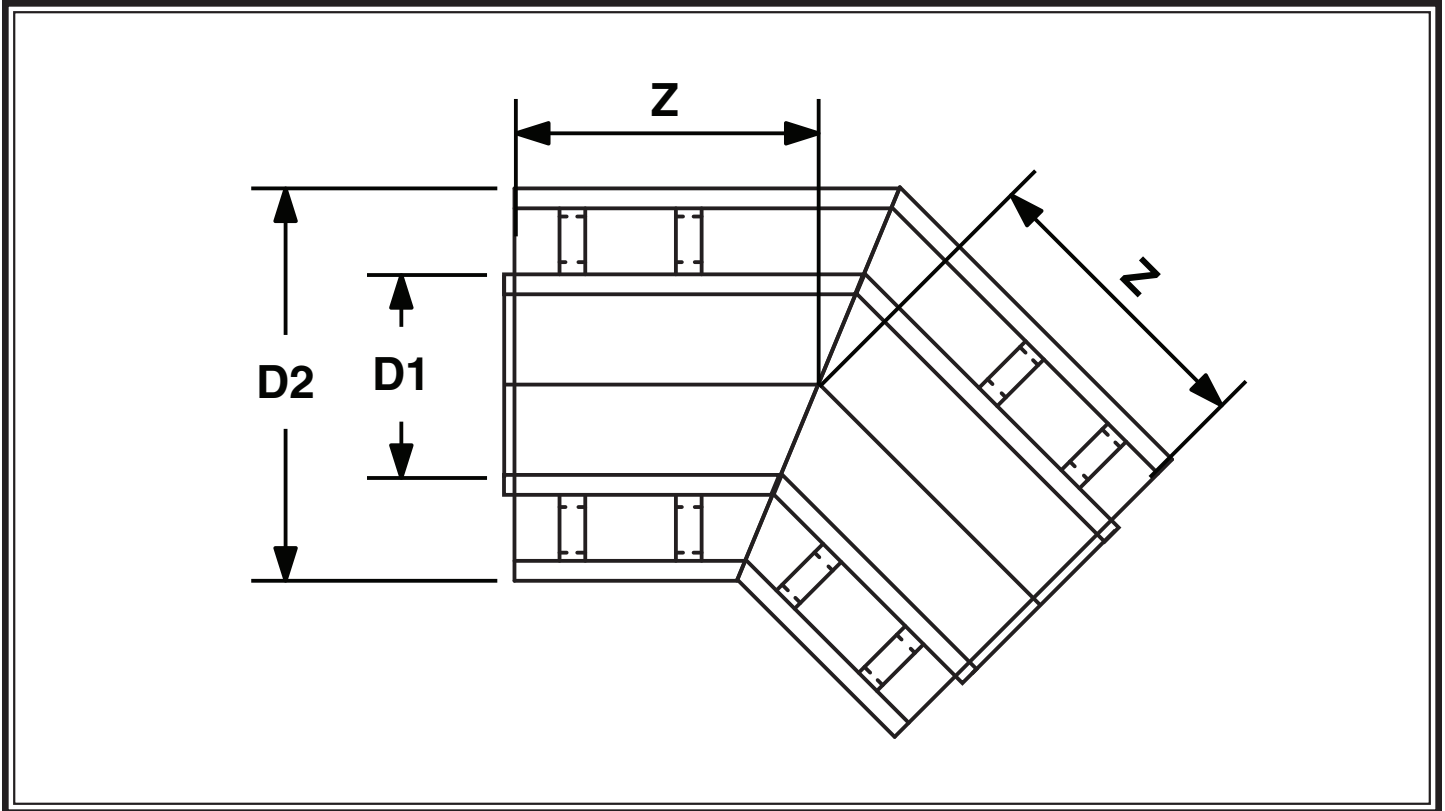
DoubleQuik - Dimensional Data

45° ELBOW

Description: 45° Elbow

Material: Polypropylene

Connection: Simultaneous Butt-Fusion



NOMINAL PIPE SIZE	D1 in	D2 in	Z in
1" x 3"	1.26	3.54	5
1" x 4"	1.26	4.33	5
1½" x 4"	1.97	4.33	5
2" x 4"	2.48	4.33	5
3" x 6"	3.54	6.30	6
4" x 8"	4.33	7.87	6
6" x 10"	6.30	9.84	6.5
8" x 12"	7.87	12.40	8.25
10" x 14"	9.84	13.98	9.5
12" x 16"	12.40	15.75	12
14" x 18"	13.98	17.72	12
16" x 20"	15.75	19.69	14

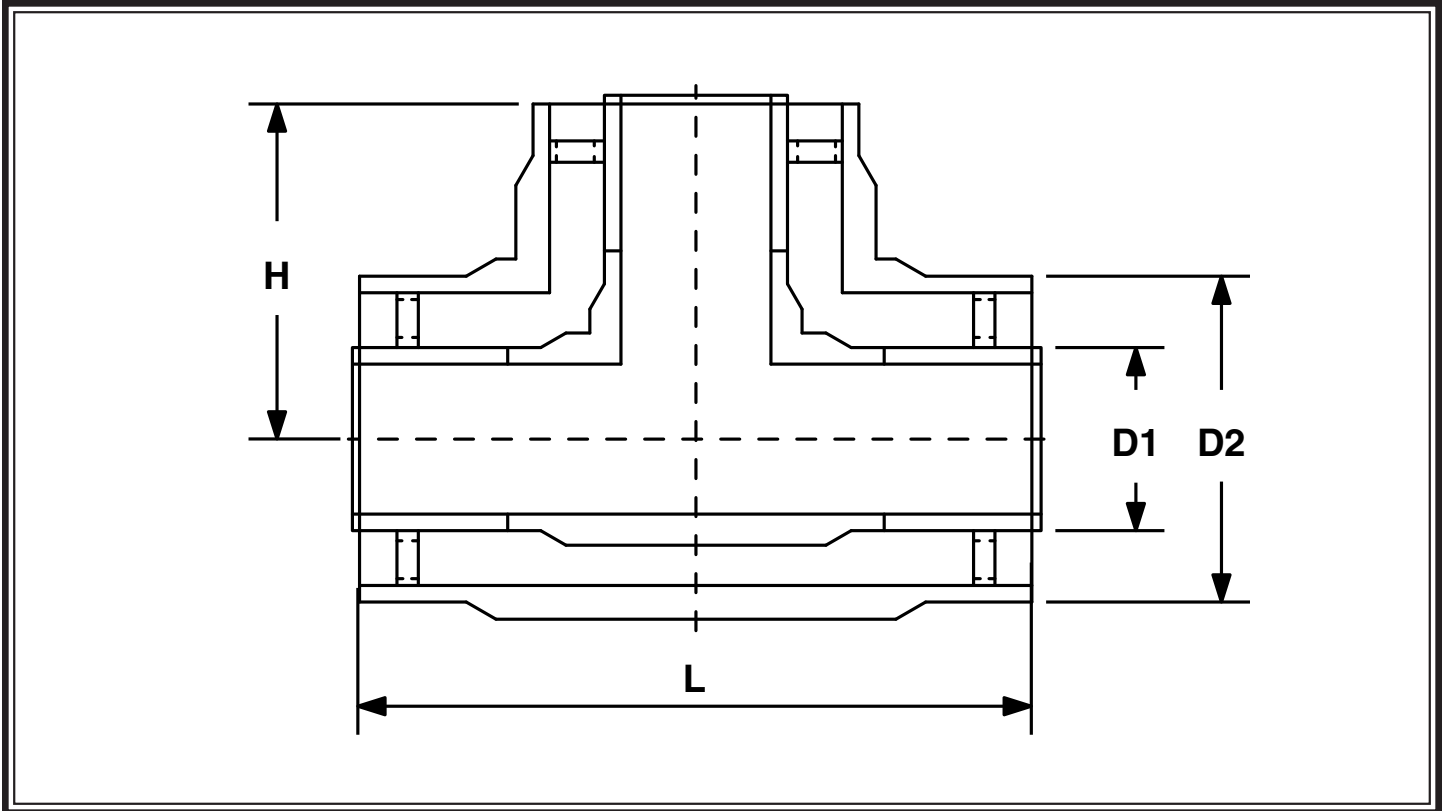
DoubleQuik - Dimensional Data

TEE

Description: Tee

Material: Polypropylene

Connection: Simultaneous Butt-Fusion



NOMINAL PIPE SIZE	D1 in	D2 in	H in	L in
1" x 3"	1.26	3.54	4.06	7.20
1" x 4"	1.26	4.33	5.16	10.04
1½" x 4"	1.97	4.33	5.16	10.04
2" x 4"	2.48	4.33	5.16	10.04
3" x 6"	3.54	6.30	6.38	12.44
4" x 8"	4.33	7.87	8.70	17.13
6" x 10"	6.30	9.84	8.46	17.64
8" x 12"	7.87	12.40	11.14	22.28
10" x 14"	9.84	13.98	13.74	27.32
12" x 16"	12.40	15.75	14.17	28.54
14" x 18"	13.98	17.72	16.50	32.95
16" x 20"	15.75	19.69	18.11	36.61

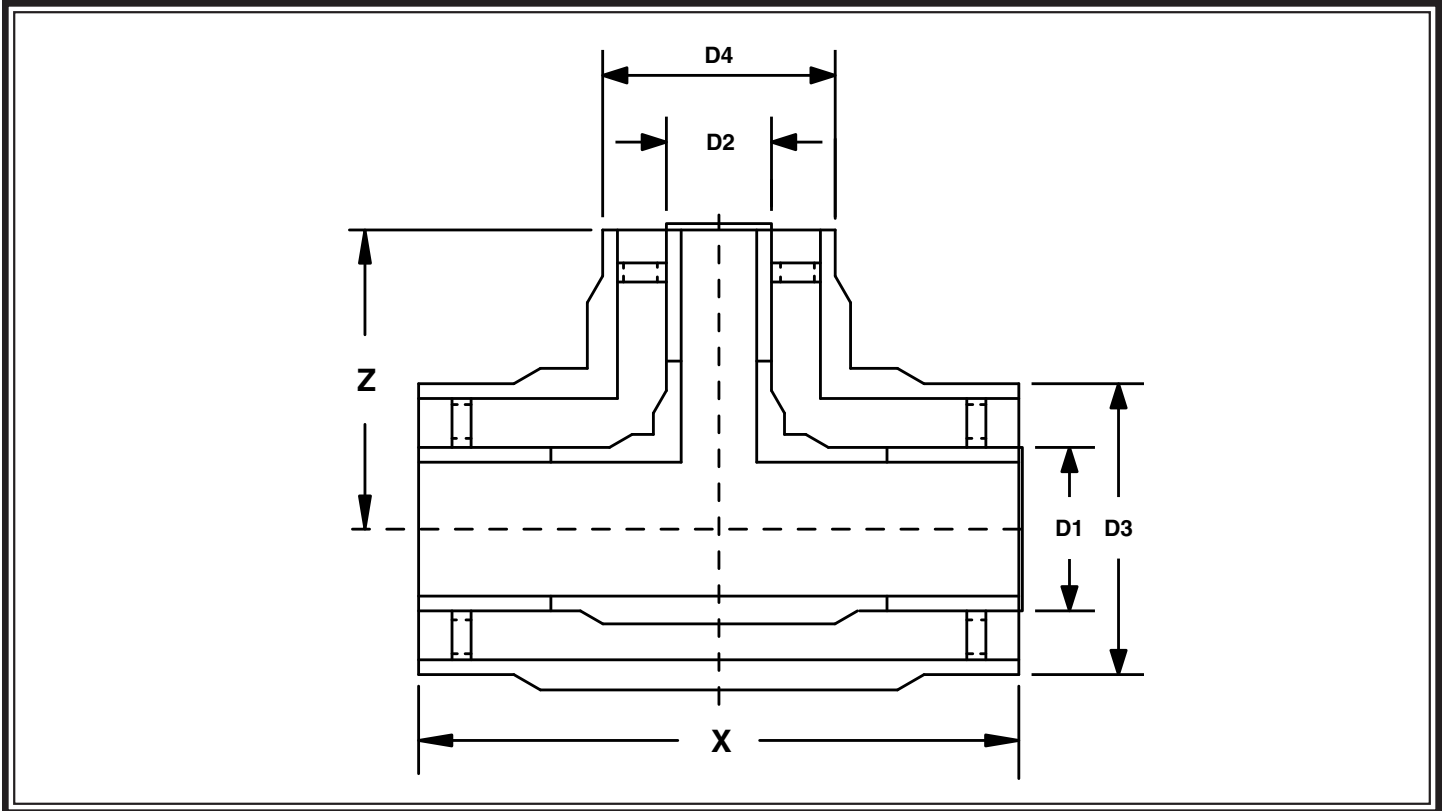
DoubleQuik - Dimensional Data

REDUCING TEE

Description: Reduciog Tee

Material: Polypropylene

Connection: Simultaneous Butt-Fusion



NOMINAL PIPE SIZE	D1 in	D3 in	D2 in	D4 in	H in	L in
1½" x 4" x 1" x 3"	1.26	3.54	1.97	4.33	5.16	10.04
3" x 6" x 1½" x 4"	1.97	4.33	3.54	6.30	6.38	12.44
3" x 6" x 2" x 4"	2.48	4.33	3.54	6.30	6.38	12.44
4" x 8" x 2" x 4"	2.48	4.33	4.33	7.87	8.70	17.13
4" x 8" x 3" x 6"	3.54	6.30	4.33	7.87	8.70	17.13
6" x 10" x 2" x 4"	2.48	4.33	6.30	9.84	17.64	17.64
6" x 10" x 3" x 6"	3.54	6.30	6.30	9.84	17.64	17.64
6" x 10" x 4" x 8"	4.33	7.87	6.30	9.84	17.64	17.64
8" x 12" x 3" x 6"	3.54	6.30	7.87	12.40	11.14	22.28
8" x 12" x 4" x 8"	4.33	7.87	7.87	12.40	11.14	22.28
8" x 12" x 6" x 10"	6.30	9.84	7.87	12.40	11.14	22.28
10" x 14" x 4" x 8"	4.33	7.87	9.84	13.98	13.74	27.32
10" x 14" x 6" x 10"	6.30	9.84	9.84	13.98	13.74	27.32
10" x 14" x 8" x 12"	7.87	12.40	9.84	13.98	13.74	27.32
12" x 16" x 6" x 10"	6.30	9.84	12.40	15.75	14.17	28.54
12" x 16" x 8" x 12"	7.87	12.40	12.40	15.75	14.17	28.54
12" x 16" x 10" x 14"	9.84	13.98	12.40	15.75	14.17	28.54
14" x 18" x 8" x 12"	7.87	12.40	13.98	17.72	16.50	32.95
14" x 18" x 10" x 14"	9.84	13.98	13.98	17.72	16.50	32.95
14" x 18" x 12" x 16"	12.40	15.75	13.98	17.72	16.50	32.95
16" x 20" x 14" x 18"	13.98	17.72	15.75	19.69	18.11	36.61

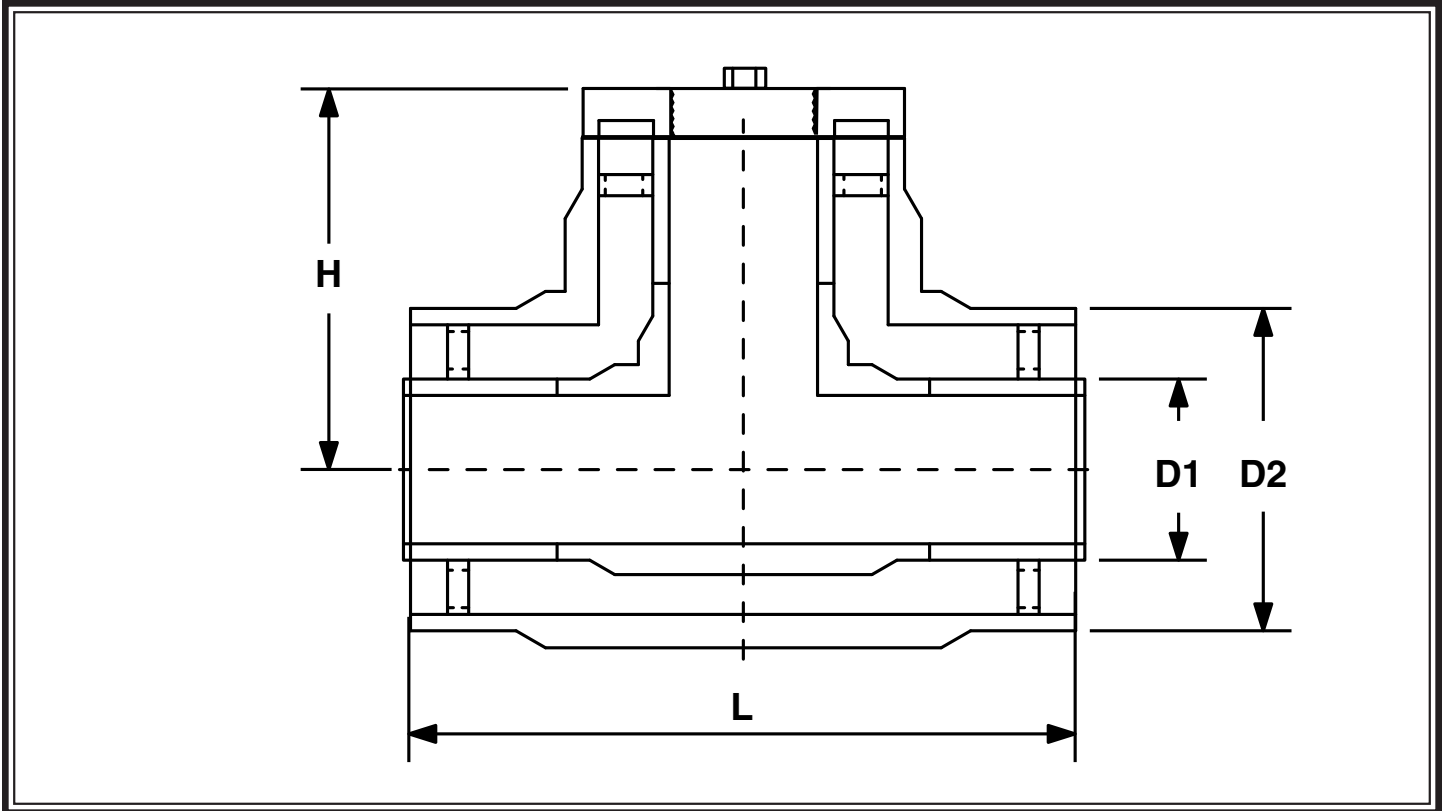
DoubleQuik - Dimensional Data

Tee w/ Clean Out

Description: Tee w/ Cleanout

Material: Polypropylene

Connection: Butt-Fusion



NOMINAL PIPE SIZE	D1 in	D2 in	H in	L in
1" x 3"	1.26	3.54	5.81	7.20
1" x 4"	1.26	4.33	6.91	10.04
1½" x 4"	1.97	4.33	6.91	10.04
2" x 4"	2.48	4.33	6.91	10.04
3" x 6"	3.54	6.30	8.13	12.44
4" x 8"	4.33	7.87	10.70	17.13
6" x 10"	6.30	9.84	10.71	17.64
8" x 12"	7.87	12.40	13.64	22.28
10" x 14"	9.84	13.98	16.49	27.32
12" x 16"	12.40	15.75	17.17	28.54
14" x 18"	13.98	17.72	19.50	32.95
16" x 20"	15.75	19.69	21.11	36.61

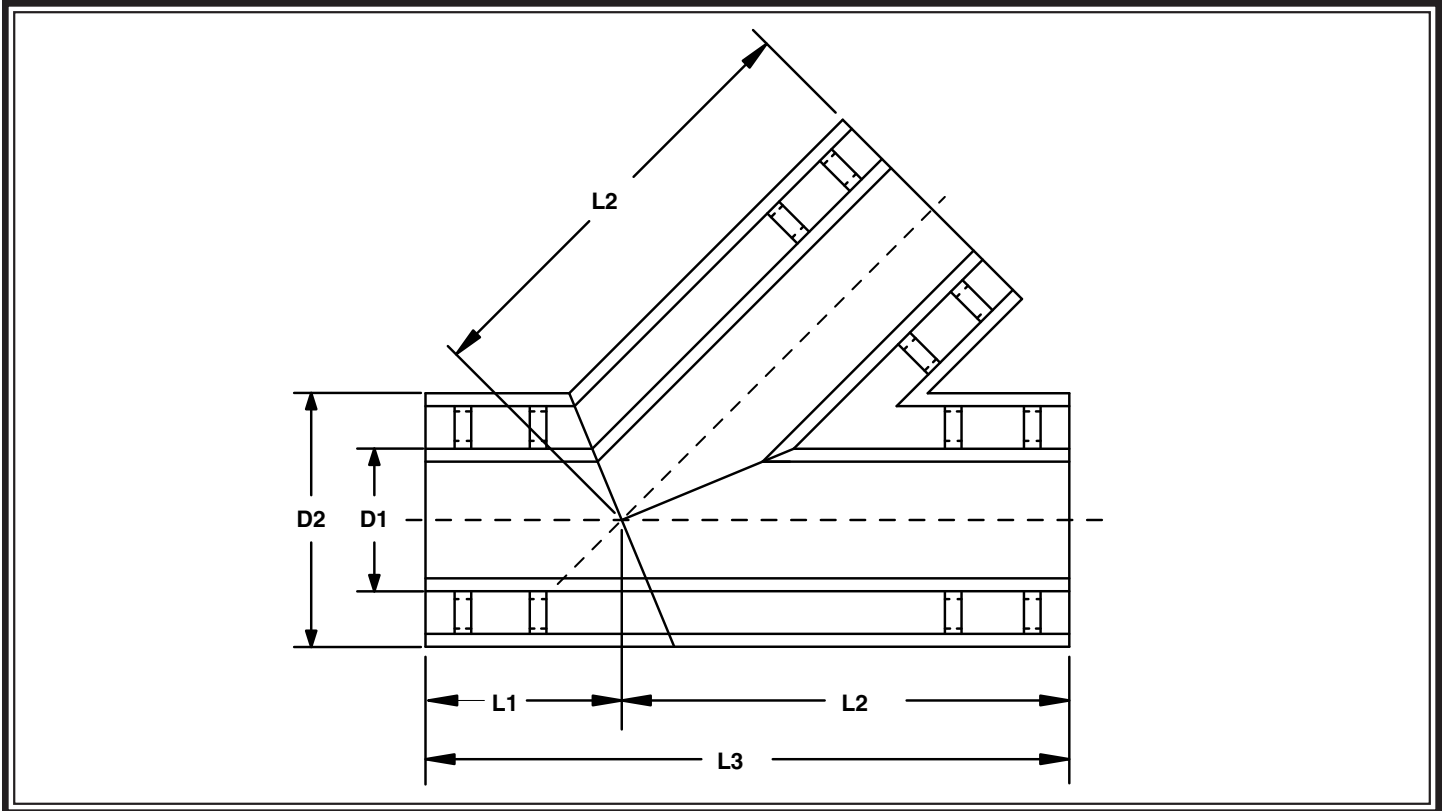
DoubleQuik - Dimensional Data

LATERAL

Description: Lateral

Material: Polypropylene

Connection: Simultaneous Butt-Fusion



NOMINAL PIPE SIZE	D1 in	D2 in	L1 in	L2 in	L3 in
1" x 3"	1.26	3.54	6	12	18
1" x 4"	1.26	4.33	6	12	18
1½" x 4"	1.97	4.33	6	12	18
2" x 4"	2.48	4.33	6	12	18
3" x 6"	3.54	6.30	8	16	24
4" x 8"	4.33	7.87	10	20	30
6" x 10"	6.30	9.84	12	24	36
8" x 12"	7.87	12.40	14	28	42
10" x 14"	9.84	13.98	16	32	48
12" x 16"	12.40	15.75	18	36	54
14" x 18"	13.98	17.72	20	60	40
16" x 20"	15.75	19.69	21	64	48

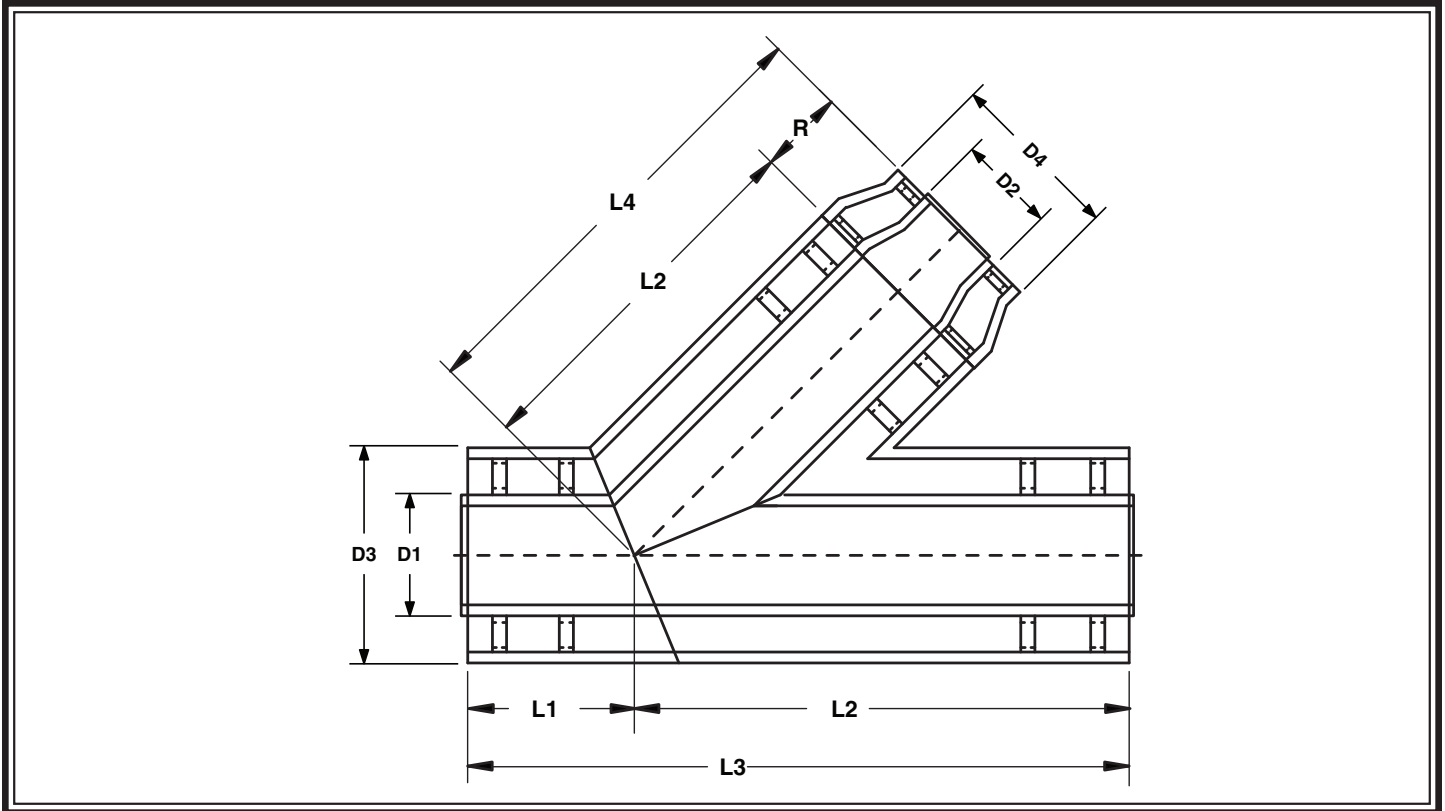
DoubleQuik - Dimensional Data

REDUCED LATERAL

Description: Reduced Lateral

Material: Polypropylene

Connection: Butt-Fusion



NOMINAL PIPE SIZE	D1 in	D3 in	D2 in	D4 in	L1 in	L2 in	L3 in	L4 in	R in
1½" x 4" x 1" x 3"	1.26	3.54	1.97	4.33	6	12	18	22	3.94
3" x 6" x 1½" x 4"	1.97	4.33	3.54	6.30	8	16	24	29	5.04
3" x 6" x 2" x 4"	2.48	4.33	3.54	6.30	8	16	24	29	5.04
4" x 8" x 2" x 4"	2.48	4.33	4.33	7.87	10	20	30	41	10.75
4" x 8" x 3" x 6"	3.54	6.30	4.33	7.87	10	20	30	36	5.71
6" x 10" x 2" x 4"	2.48	4.33	6.30	9.84	12	24	36	48	11.73
6" x 10" x 3" x 6"	3.54	6.30	6.30	9.84	12	24	36	43	6.69
6" x 10" x 4" x 8"	4.33	7.87	6.30	9.84	12	24	36	43	7.09
8" x 12" x 3" x 6"	3.54	6.30	7.87	12.40	14	28	42	57	15.43
8" x 12" x 4" x 8"	4.33	7.87	7.87	12.40	14	28	42	52	9.72
8" x 12" x 6" x 10"	6.30	9.84	7.87	12.40	14	28	42	51	9.09
10" x 14" x 4" x 8"	4.33	7.87	9.84	13.98	16	32	48	65	16.73
10" x 14" x 6" x 10"	6.30	9.84	9.84	13.98	16	32	48	58	9.65
10" x 14" x 8" x 12"	7.87	12.40	9.84	13.98	16	32	48	58	9.65
12" x 16" x 6" x 10"	6.30	9.84	12.40	15.75	18	36	54	64	10.24
12" x 16" x 8" x 12"	7.87	12.40	12.40	15.75	18	36	54	64	10.24
12" x 16" x 10" x 14"	9.84	13.98	12.40	15.75	18	36	54	64	10.24
14" x 18" x 8" x 12"	7.87	12.40	13.98	17.72	20	60	40	49	9.06
14" x 18" x 10" x 14"	9.84	13.98	13.98	17.72	20	60	40	49	9.06
14" x 18" x 12" x 16"	12.40	15.75	13.98	17.72	20	60	40	49	9.06
16" x 20" x 14" x 18"	13.98	17.72	15.75	19.69	21	64	48	57	9.06

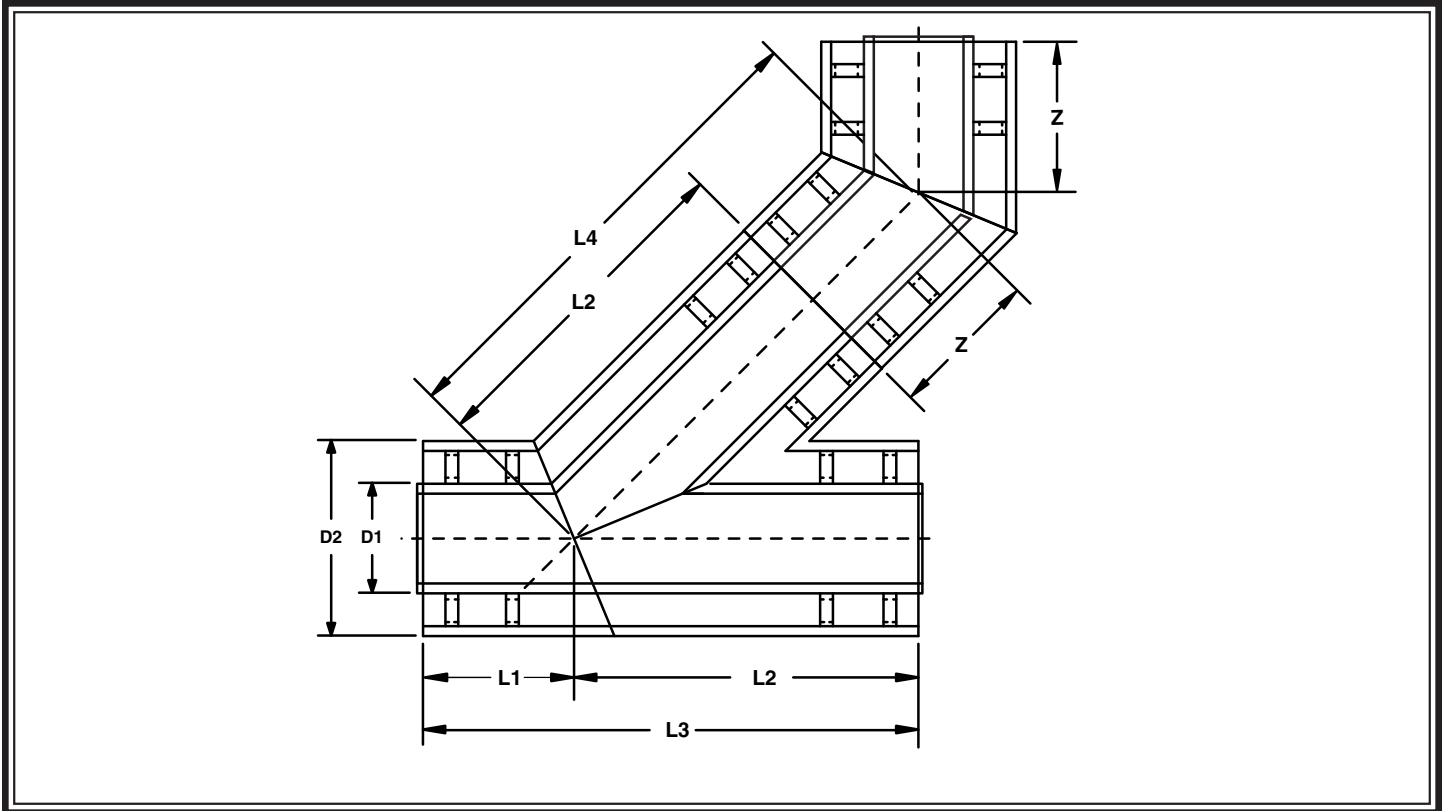
DoubleQuik - Dimensional Data

COMBO LATERAL (SANITARY TEE)

Description: Combo Lateral (Sanitary Tee)

Material: Polypropylene

Connection: Butt-Fusion



NOMINAL PIPE SIZE	D1 in	D2 in	L1 in	L2 in	L3 in	L4 in	Z in
1" x 3"	1.26	3.54	6	12	18	17	5
1" x 4"	1.26	4.33	6	12	18	17	5
1½" x 4"	1.97	4.33	6	12	18	17	5
2" x 4"	2.48	4.33	6	12	18	17	5
3" x 6"	3.54	6.30	8	16	24	22	6
4" x 8"	4.33	7.87	10	20	30	26	6
6" x 10"	6.30	9.84	12	24	36	30.5	6.5
8" x 12"	7.87	12.40	14	28	42	36.25	8.25
10" x 14"	9.84	13.98	16	32	48	41.5	9.5
12" x 16"	12.40	15.75	18	36	54	48	12
14" x 18"	13.98	17.72	20	60	40	72	12
16" x 20"	15.75	19.69	21	64	48	78	14

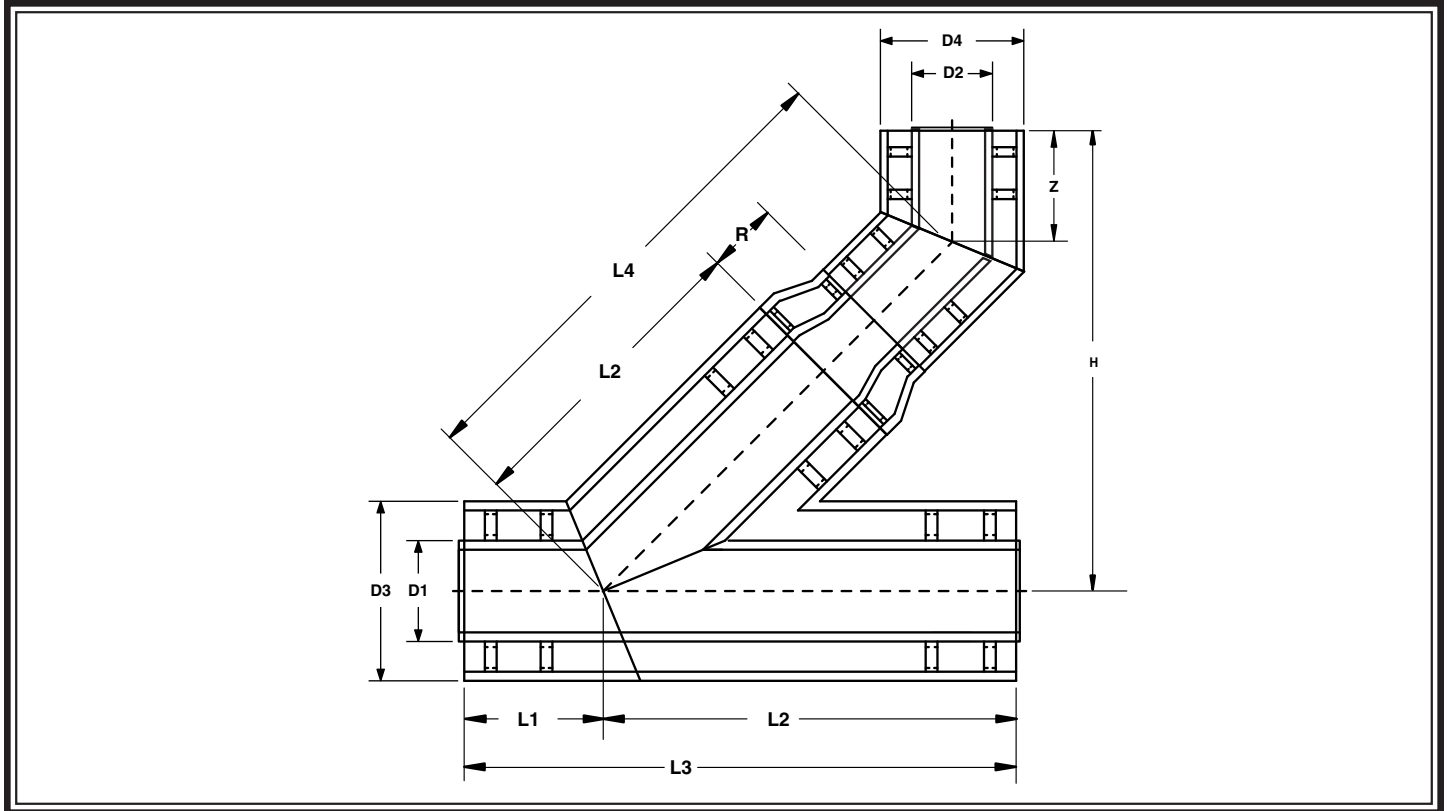
DoubleQuik - Dimensional Data

REDUCED COMBO LATERAL (SANITARY TEE)

Description: Reduced Combo Lateral (Sanitary Tee)

Material: Polypropylene

Connection: Butt-Fusion



NOMINAL PIPE SIZE	D1 in	D3 in	D2 in	D4 in	L in	L1 in	L2 in	L3 in	L4 in	R in	Z in
1½" x 4" x 1" x 3"	1.26	3.54	1.97	4.33	18	6	12	18	22	3.94	5
3" x 6" x 1½" x 4"	1.97	4.33	3.54	6.30	24	8	16	24	29	5.04	5
3" x 6" x 2" x 4"	2.48	4.33	3.54	6.30	24	8	16	24	29	5.04	5
4" x 8" x 2" x 4"	2.48	4.33	4.33	7.87	30	10	20	30	41	10.75	5
4" x 8" x 3" x 6"	3.54	6.30	4.33	7.87	30	10	20	30	36	5.71	6
6" x 10" x 2" x 4"	2.48	4.33	6.30	9.84	36	12	24	36	48	11.73	5
6" x 10" x 3" x 6"	3.54	6.30	6.30	9.84	36	12	24	36	43	6.69	6
6" x 10" x 4" x 8"	4.33	7.87	6.30	9.84	36	12	24	36	43	7.09	6
8" x 12" x 3" x 6"	3.54	6.30	7.87	12.40	42	14	28	42	57	15.43	6
8" x 12" x 4" x 8"	4.33	7.87	7.87	12.40	42	14	28	42	52	9.72	6
8" x 12" x 6" x 10"	6.30	9.84	7.87	12.40	42	14	28	42	51	9.09	6.5
10" x 14" x 4" x 8"	4.33	7.87	9.84	13.98	48	16	32	48	65	16.73	6
10" x 14" x 6" x 10"	6.30	9.84	9.84	13.98	48	16	32	48	58	9.65	6.5
10" x 14" x 8" x 12"	7.87	12.40	9.84	13.98	48	16	32	48	58	9.65	8.25
12" x 16" x 6" x 10"	6.30	9.84	12.40	15.75	54	18	36	54	64	10.24	6.5
12" x 16" x 8" x 12"	7.87	12.40	12.40	15.75	54	18	36	54	64	10.24	8.25
12" x 16" x 10" x 14"	9.84	13.98	12.40	15.75	54	18	36	54	64	10.24	9.5
14" x 18" x 8" x 12"	7.87	12.40	13.98	17.72	80	20	60	40	49	9.06	8.25
14" x 18" x 10" x 14"	9.84	13.98	13.98	17.72	80	20	60	40	49	9.06	9.5
14" x 18" x 12" x 16"	12.40	15.75	13.98	17.72	80	20	60	40	49	9.06	12
16" x 20" x 14" x 18"	13.98	17.72	15.75	19.69	85	21	64	48	57	9.06	12

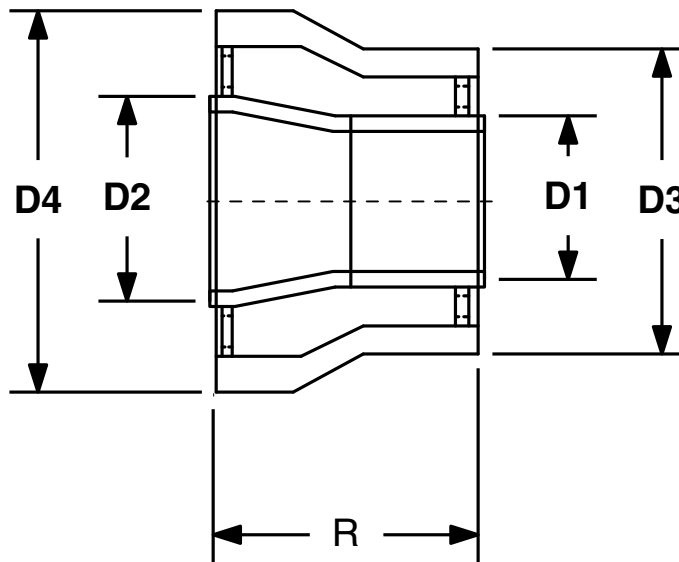
DoubleQuik - Dimensional Data

REDUCER

Description: Reducer

Material: Polypropylene

Connection: Simultaneous Butt-Fusion



NOMINAL PIPE SIZE	D1 in	D3 in	D2 in	D4 in	R in
1½"x4" x 1"x3"	1.26	1.97	1.97	3.54	3.94
3" x 6" x 1½"x4"	1.97	3.54	3.54	4.33	5.04
3" x 6" x 2" x 4"	2.48	3.54	3.54	4.33	5.04
4" x 8" x 2" x 4"	2.48	4.33	4.33	4.33	10.75
4" x 8" x 3" x 6"	3.54	4.33	4.33	6.30	5.71
6" x 10" x 2" x 4"	2.48	6.30	6.30	4.33	11.73
6" x 10" x 3" x 6"	3.54	6.30	6.30	6.30	6.69
6" x 10" x 4" x 8"	4.33	6.30	6.30	7.87	7.09
8" x 12" x 3" x 6"	3.54	7.87	7.87	6.30	15.43
8" x 12" x 4" x 8"	4.33	7.87	7.87	7.87	9.72
8" x 12" x 6" x 10"	6.30	7.87	7.87	9.84	9.09
10" x 14" x 4" x 8"	4.33	9.84	9.84	7.87	16.73
10" x 14" x 6" x 10"	6.30	9.84	9.84	9.84	9.65
10" x 14" x 8" x 12"	7.87	9.84	9.84	12.40	9.65
12" x 16" x 6" x 10"	6.30	12.40	12.40	9.84	10.24
12" x 16" x 8" x 12"	7.87	12.40	12.40	12.40	10.24
12" x 16" x 10" x 14"	9.84	12.40	12.40	13.98	10.24
14" x 18" x 8" x 12"	7.87	13.98	13.98	12.40	9.06
14" x 18" x 10" x 14"	9.84	13.98	13.98	13.98	9.06
14" x 18" x 12" x 16"	12.40	13.98	13.98	15.75	9.06
16" x 20" x 14" x 18"	13.98	15.75	15.75	17.72	9.06

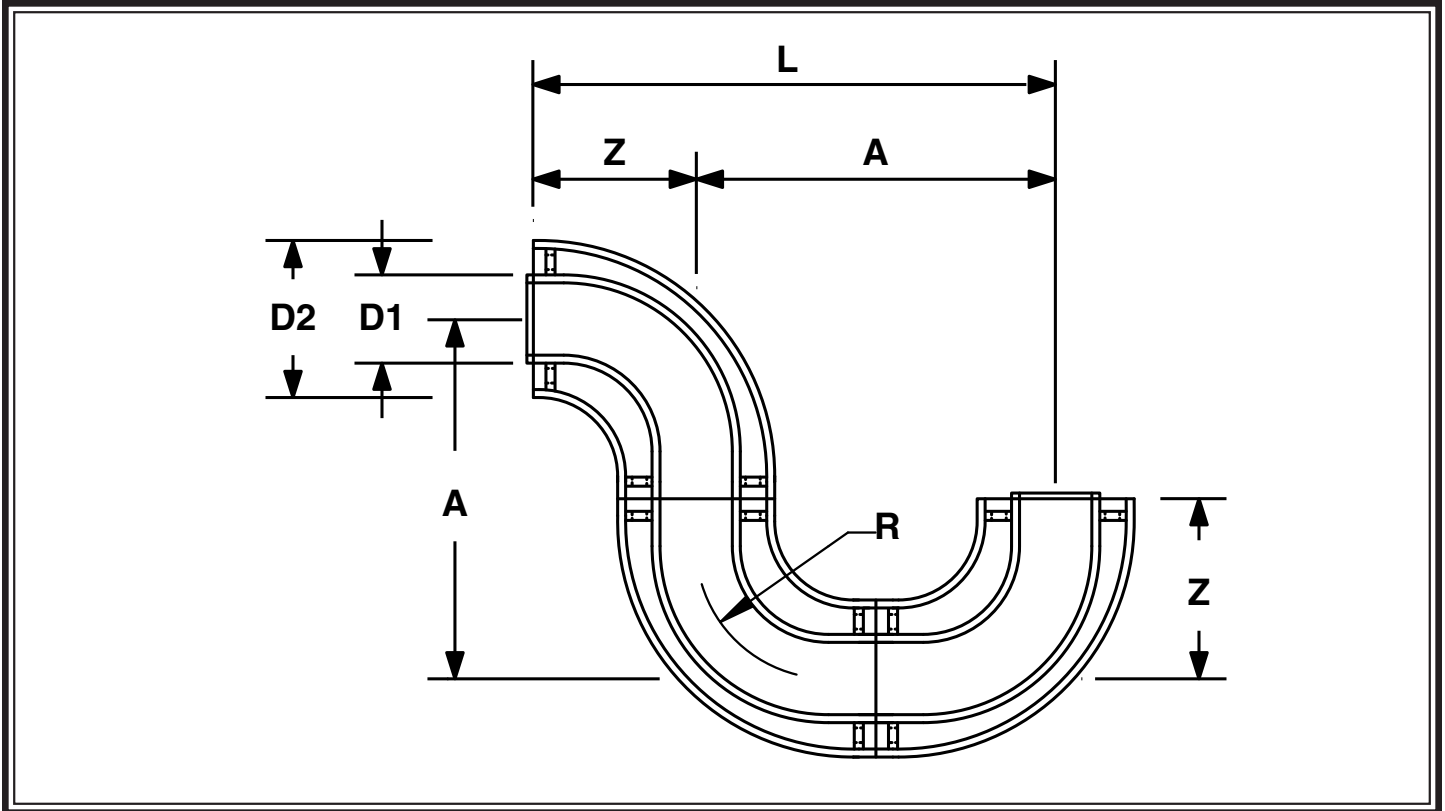
DoubleQuik - Dimensional Data

P-TRAP

Description: P-Trap

Material: Polypropylene

Connection: Simultaneous Butt-Fusion



NOMINAL PIPE SIZE	D1 in	D2 in	A in	L in	R in	Z in
1" x 3"	1.26	3.54	7.32	10.98	3.54	3.66
1" x 4"	1.26	4.33	9.06	13.58	4.33	4.53
1½" x 4"	1.97	4.33	9.06	13.58	4.33	4.53
2" x 4"	2.48	4.33	9.06	13.58	4.33	4.53
3" x 6"	3.54	6.30	13.15	19.72	6.30	6.57
4" x 8"	4.33	7.87	16.22	24.33	7.87	8.11
6" x 10"	6.30	9.84	20.16	30.24	9.84	10.08
8" x 12"	7.87	12.40	25.51	38.27	12.40	12.76
10" x 14"	9.84	13.98	30.31	45.47	13.98	15.16
12" x 16"	12.40	15.75	34.49	51.73	15.75	17.24
14" x 18"	13.98	17.72	35.04	52.56	17.72	17.52
16" x 20"	15.75	19.69	35.04	52.56	19.69	17.52

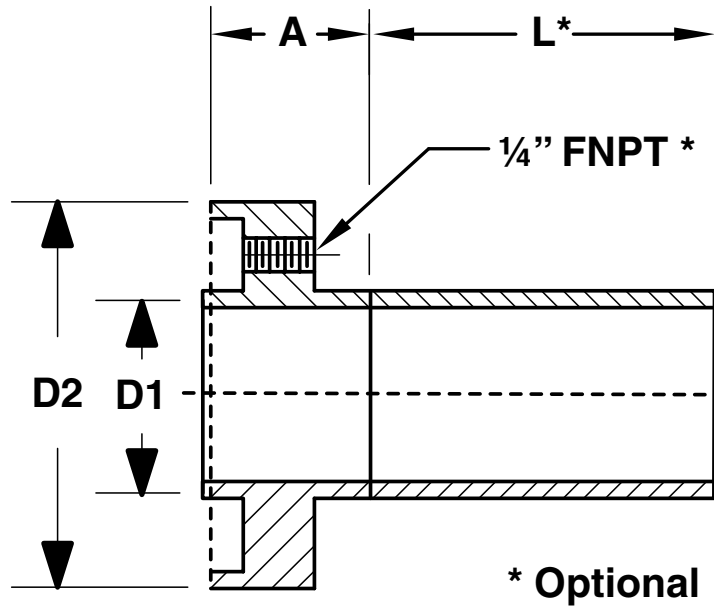
DoubleQuik - Dimensional Data

TERMINATION FITTING

Description: Termination Fitting

Material: Polypropylene

Connection: Simultaneous Butt-Fusion



NOMINAL PIPE SIZE	D1 in	D2 in	A in	L* in
1" x 3"	1.26	3.54	1.75	6
1" x 4"	1.26	4.33	1.75	6
1½" x 4"	1.97	4.33	1.75	6
2" x 4"	2.48	4.33	1.75	6
3" x 6"	3.54	6.30	1.75	6
4" x 8"	4.33	7.87	2	6
6" x 10"	6.30	9.84	2.25	6
8" x 12"	7.87	12.40	2.5	6
10" x 14"	9.84	13.98	2.75	6
12" x 16"	12.40	15.75	3	6
14" x 18"	13.98	17.72	3	6
16" x 20"	15.75	19.69	3	6

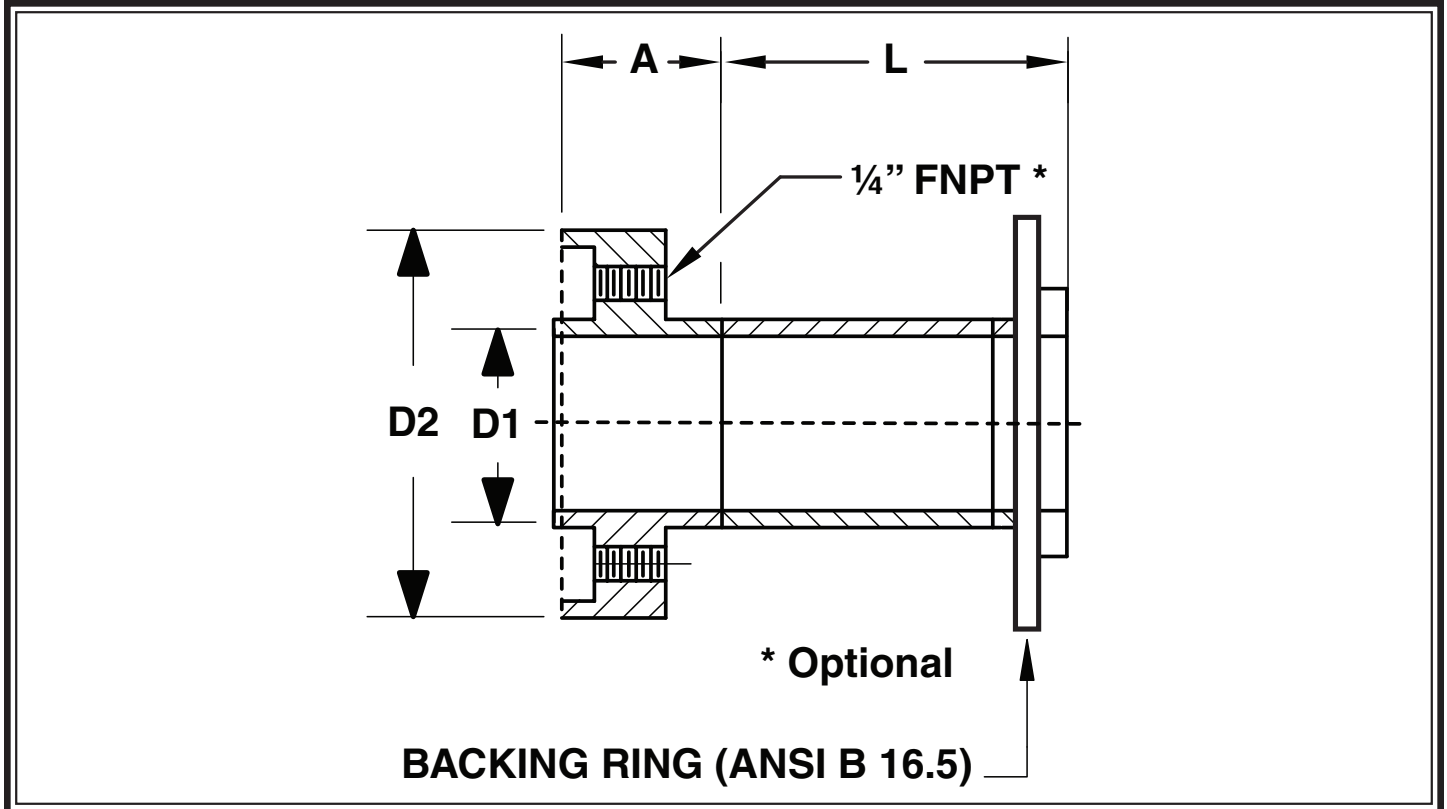
DoubleQuik - Dimensional Data

TERMINATION FITTING - FLANGED

Description: Termination Fitting - Flanged

Material: Polypropylene

Connection: Simultaneous Butt-Fusion



NOMINAL PIPE SIZE	D1 in	D2 in	A in	L in
1" x 3"	1.26	3.54	1.75	7.97
1" x 4"	1.26	4.33	1.75	7.97
1½" x 4"	1.97	4.33	1.75	7.97
2" x 4"	2.48	4.33	1.75	8.20
3" x 6"	3.54	6.30	1.75	9.27
4" x 8"	4.33	7.87	2	9.31
6" x 10"	6.30	9.84	2.25	9.19
8" x 12"	7.87	12.40	2.5	10.84
10" x 14"	9.84	13.98	2.75	10.76
12" x 16"	12.40	15.75	3	12.73
14" x 18"	13.98	17.72	3	13.28
16" x 20"	15.75	19.69	3	13.72

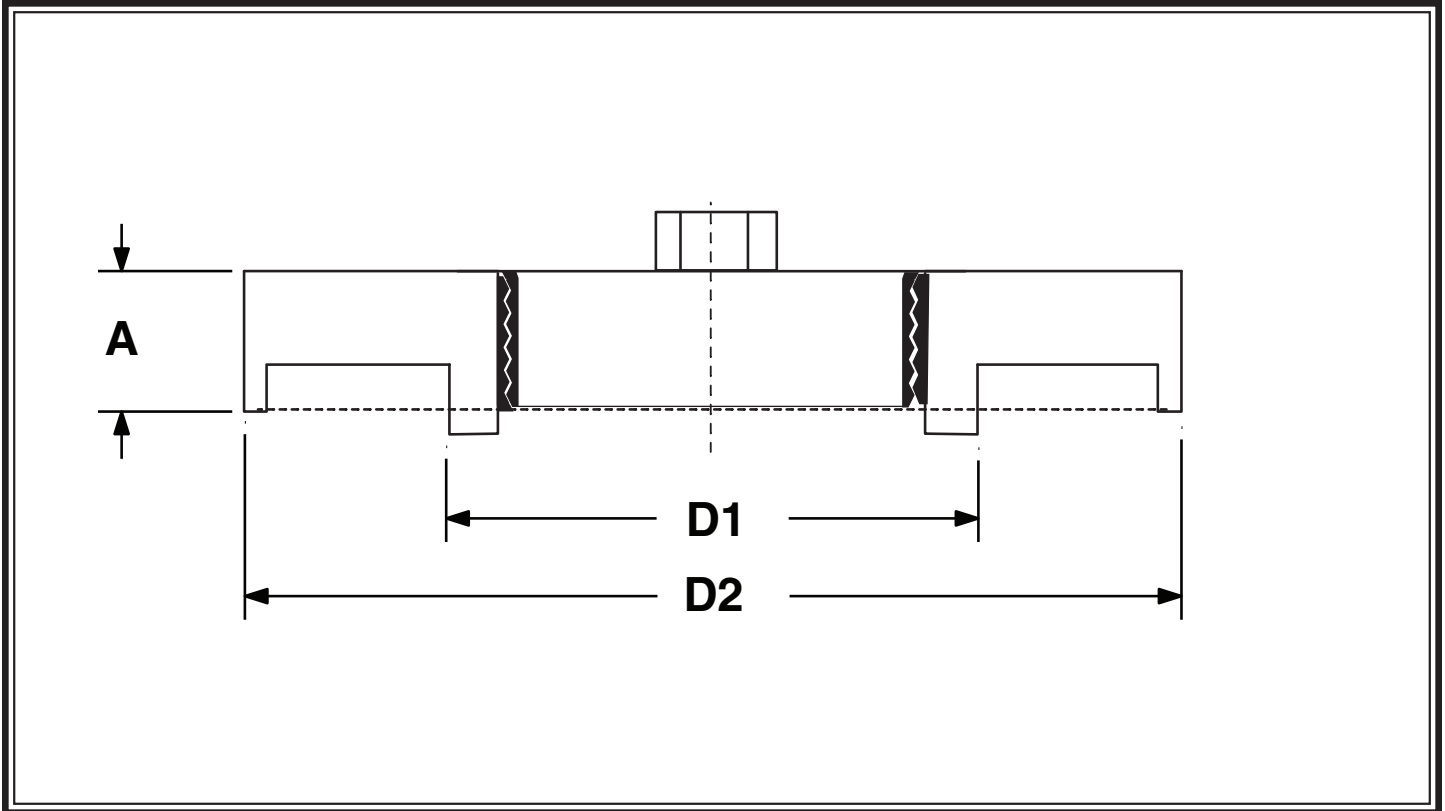
DoubleQuik - Dimensional Data

Clean Out

Description: Cleanout

Material: Polypropylene

Connection: Butt-Fusion



NOMINAL PIPE SIZE	D1 in	D2 in	A in
1" x 3"	1.26	3.54	1.75
1" x 4"	1.26	4.33	1.75
1½" x 4"	1.97	4.33	1.75
2" x 4"	2.48	4.33	1.75
3" x 6"	3.54	6.30	1.75
4" x 8"	4.33	7.87	2
6" x 10"	6.30	9.84	2.25
8" x 12"	7.87	12.40	2.5
10" x 14"	9.84	13.98	2.75
12" x 16"	12.40	15.75	3
14" x 18"	13.98	17.72	3
16" x 20"	15.75	19.69	3

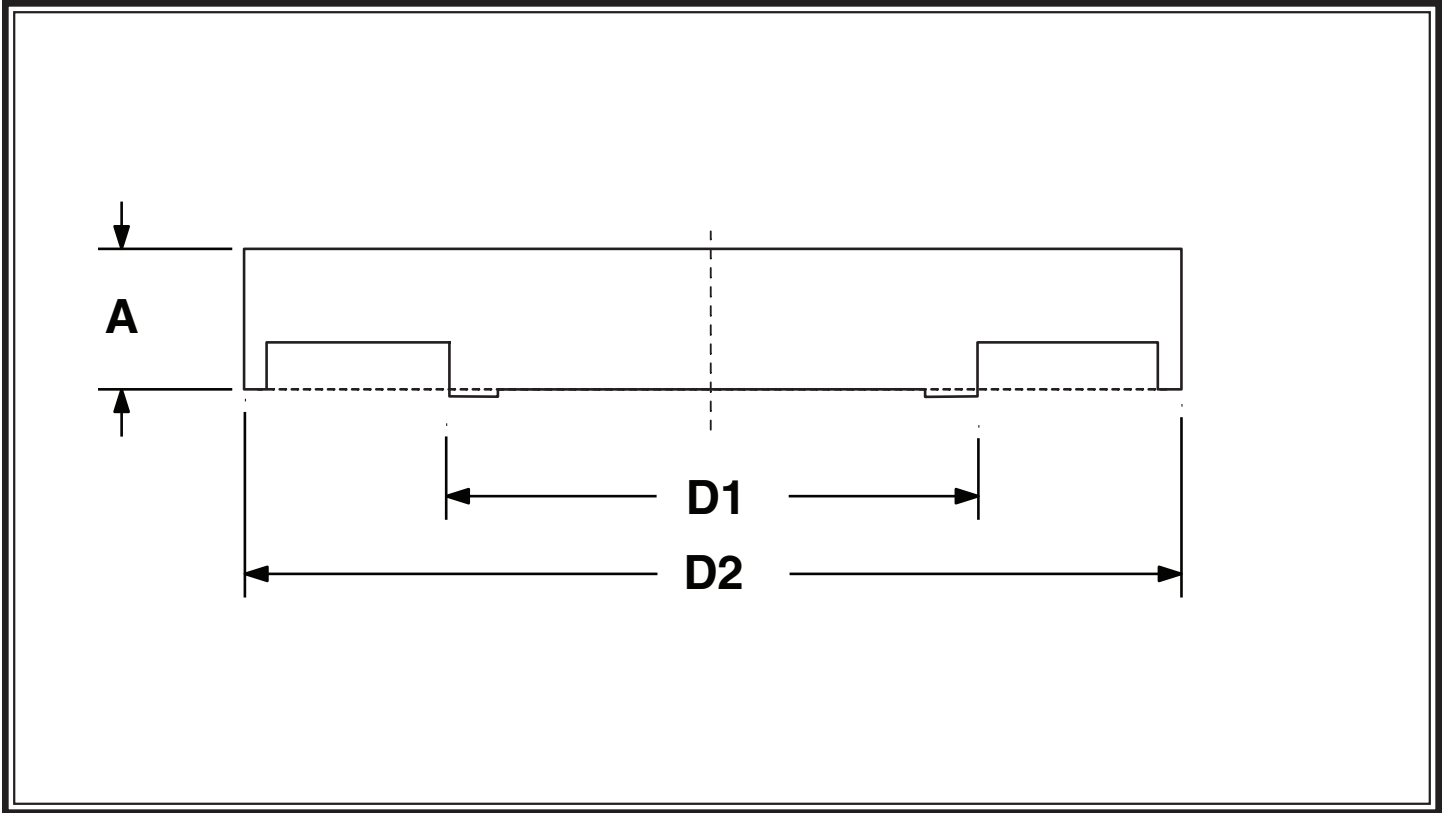
DoubleQuik - Dimensional Data

Cap

Description: Cap

Material: Polypropylene

Connection: Butt-Fusion



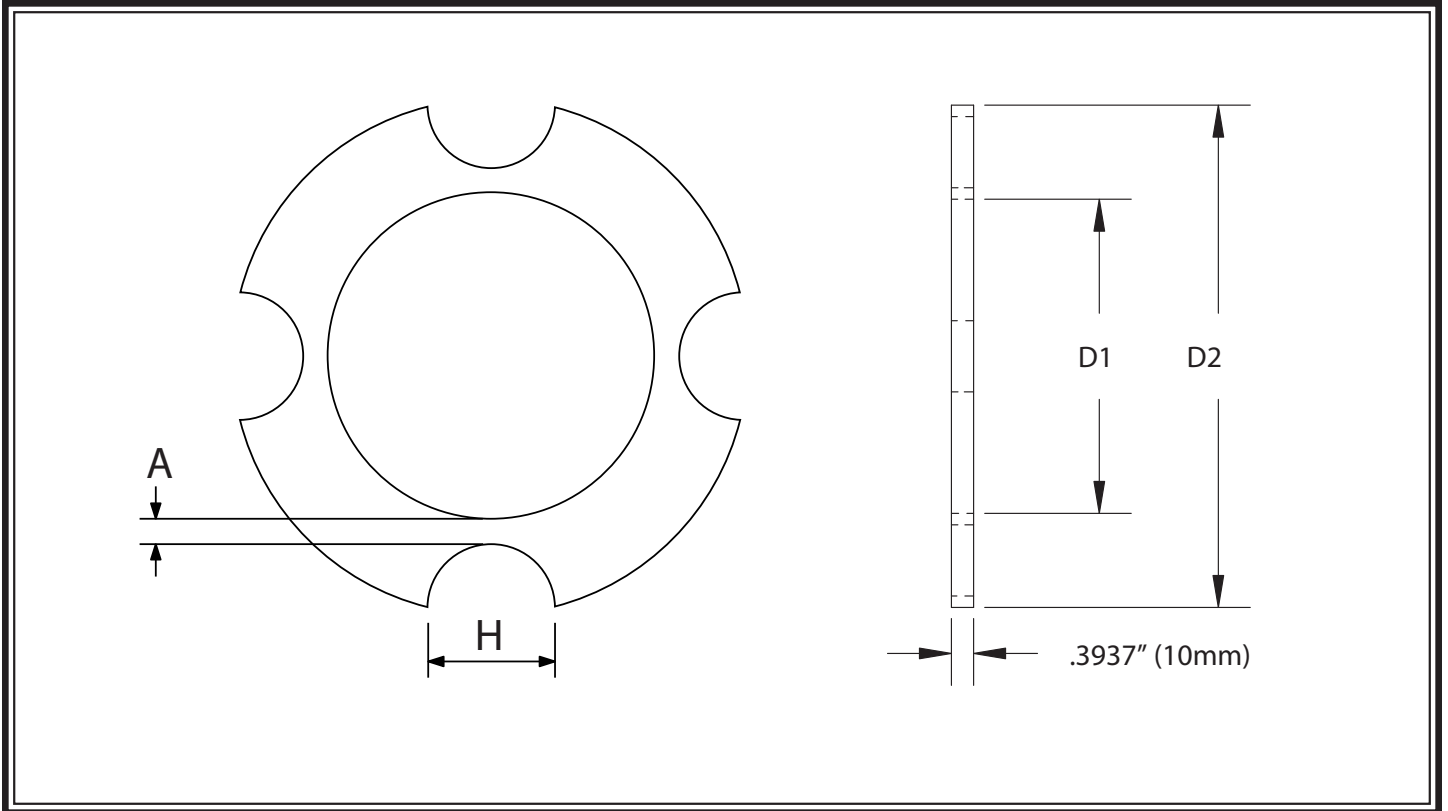
NOMINAL PIPE SIZE	D1 in	D2 in	A in
1" x 3"	1.26	3.54	1.75
1" x 4"	1.26	4.33	1.75
1½" x 4"	1.97	4.33	1.75
2" x 4"	2.48	4.33	1.75
3" x 6"	3.54	6.30	1.75
4" x 8"	4.33	7.87	2
6" x 10"	6.30	9.84	2.25
8" x 12"	7.87	12.40	2.5
10" x 14"	9.84	13.98	2.75
12" x 16"	12.40	15.75	3
14" x 18"	13.98	17.72	3
16" x 20"	15.75	19.69	3

DoubleQuik - Dimensional Data

SUPPORT

Description: Support

Material: Polypropylene



Sizes	D1	D2	A	H
2 x 4	64	101.2	5	25
3 x 6	91	149	7.6	40
4 x 8	111	185.6	10.5	50
6 x 10	161	232.6	8	50
8 x 12	201	293.6	12	63

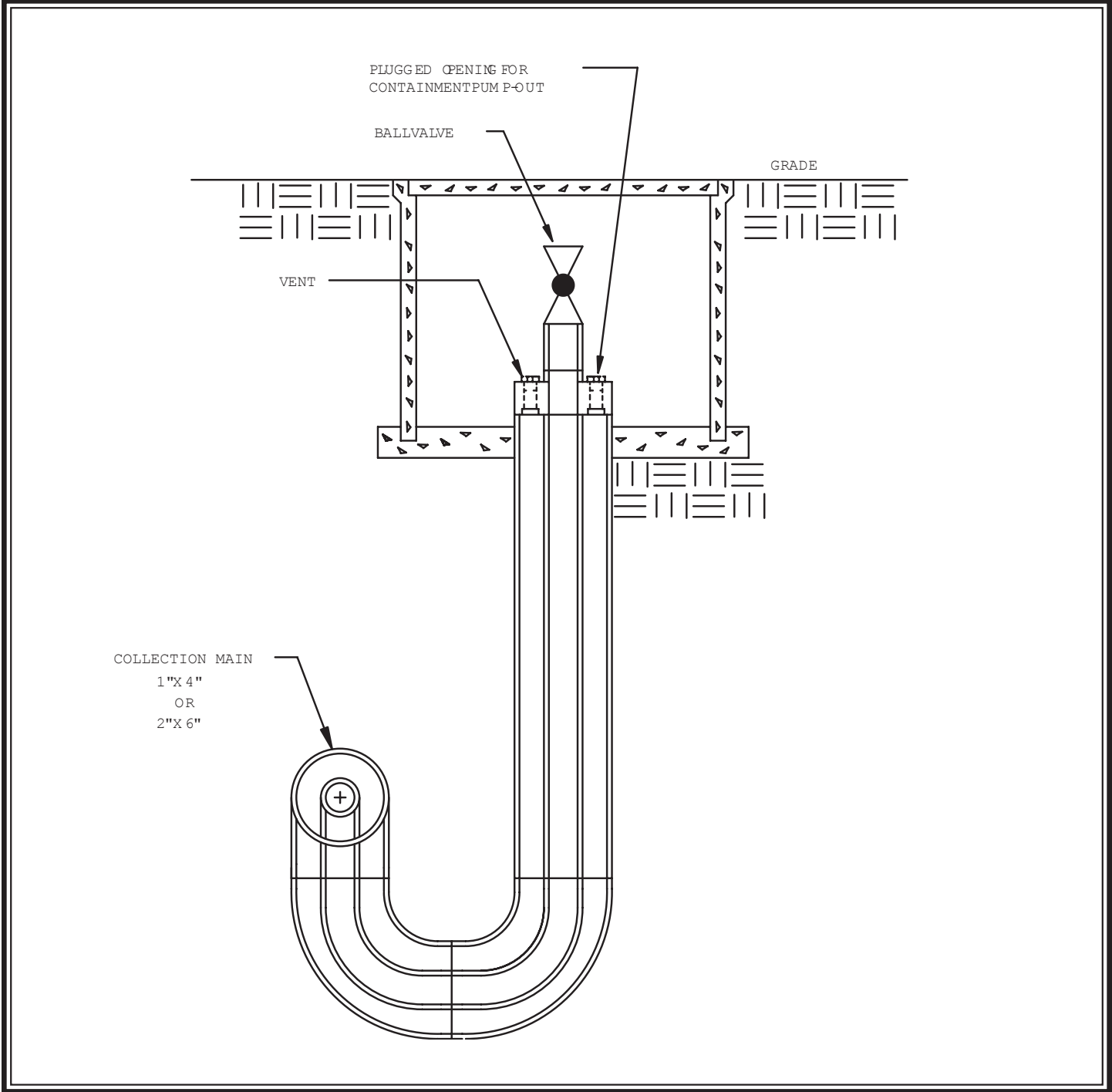
Dimensions in mm

DoubleQuik - Dimensional Data

PUMP-OUT

NOTES:

- Description: Pump-Out
- Material: Polypropylene
- Execution: Molded
- Connection: Butt-Fusion



DoubleQuik - Dimensional Data

NOTES:

DoubleQuik - Dimensional Data

NOTES:

DoubleQuik - Dimensional Data

Simtech Industrial Products, Inc.

47-A Runway Road, Levittown, PA 19057
Phone (215) 547-0444 Fax 215-547-9129
E-mail: info@simtechUSA.com
Web site: www.simtechUSA.com

WARRANTY

Simtech Industrial Products, Inc. products are warranted to be free from defects in materials and workmanship for one (1) year from date of shipment. No claim shall be permitted under this warranty unless Buyer gives Simtech Industrial Products, Inc. written notice of all respects in which Buyer claims the product to be defective. Notice must be received within ten (10) days from the date which the Buyer discovers, or should have discovered the defect. Buyer shall give Simtech Industrial Products, Inc. a reasonable opportunity to inspect the product after notice has been given. This warranty shall not apply to any products or components, which have been subjected to abnormal use, negligence or accident.

Seller's sole obligation under this warranty shall be limited solely on the repair or replacement, as elected by Simtech Industrial Products, Inc., of defective or non-conforming material. To the maximum extent permitted by law, Buyer irrevocably waives all claims for money damages relating to the condition, use and performance of the goods purchased. In no event shall Simtech Industrial Products, Inc. liability exceed the purchase price of the product sold by Simtech Industrial Products, Inc.

In no event, whether because of a breach of warranty or representation or any other cause, whether based upon contract, tort, warranty or otherwise, arising out of the performance or nonperformance by seller of its obligations under this agreement or with respect to the products sold pursuant here to; shall seller be liable for lost earnings, income or profits or indirect, incidental, liquidated or consequential damages.

The implied warranties of merchantability and fitness for a particular purpose except as set forth in this warranty, express or implied, are hereby disclaimed and excluded. Nothing shall be construed as an additional warranty unless specifically designated as such in writing and signed by Simtech Industrial Products, Inc.

Simtech Industrial Products, Inc. reserves the right, in its discretion, at any time and from time to time, to make changes to any specification, data or information contained herein.