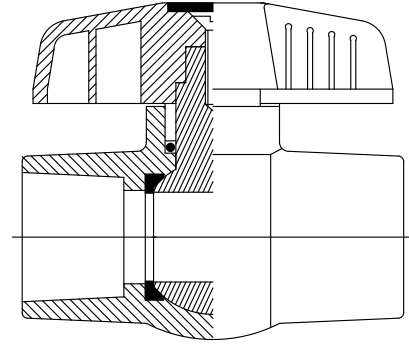


# MP Series

## Molded-In-Place Ball Valve

**Material:** PVC  
**Size:** 1/2" - 2"  
**Pressure Rating:** 150 psi  
**Seats:** EPDM  
**Seals:** EPDM  
**Connections:** IPS Socket  
                   NPT Threaded



**ISO 9002 CERTIFIED**

## Engineering Guide Specification

### Materials of Construction:

**PVC:** Class 12454B per ASTM D1784  
**Seals:** EPDM  
**Seats:** EPDM

**Guide Specification:** All molded in place ball valves constructed of the materials indicated. Valve shall be molded-in-place construction wherein the body is injection molded around the ball/stem and seats of the valve. Valve shall be full port design, as manufactured by SIMTECH.

## Special Features

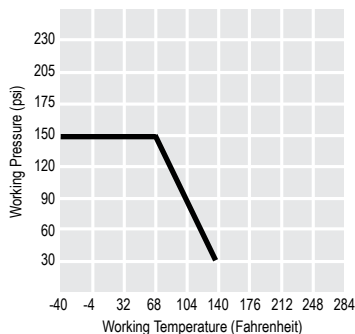
- Ideal for spas, swimming pools, water wells, irrigation etc.
- Excellent flow characteristics
- Severe shock-loads and misalignment are absorbed by the valve body, not the ball and seat—minimizes uneven wear and leakage

## Flow Rate in Gallons Per Minute

ND	1/2	3/4	1	1 1/4	1 1/2	2
<b>Bore Size</b>	.59	.79	.98	1.26	1.57	1.97
<b>C<sub>v</sub></b>	14	30	53.9	85	152.5	238

*C<sub>v</sub> is the number of gallons per minute of water at a temperature of 68°F that will flow through a valve with a 1 psi pressure differential at a specified travel.*

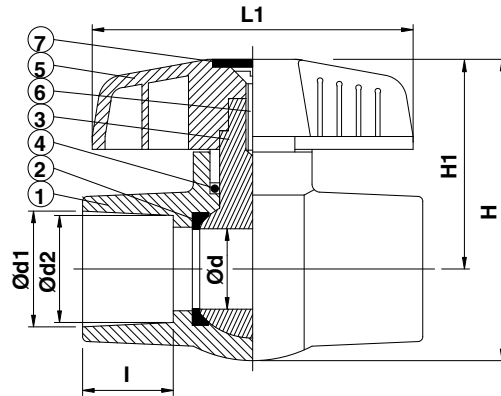
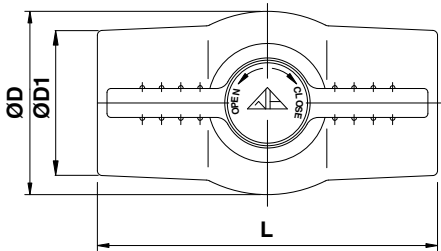
## Pressure/Temperature Graph: Working PSI/Fahrenheit



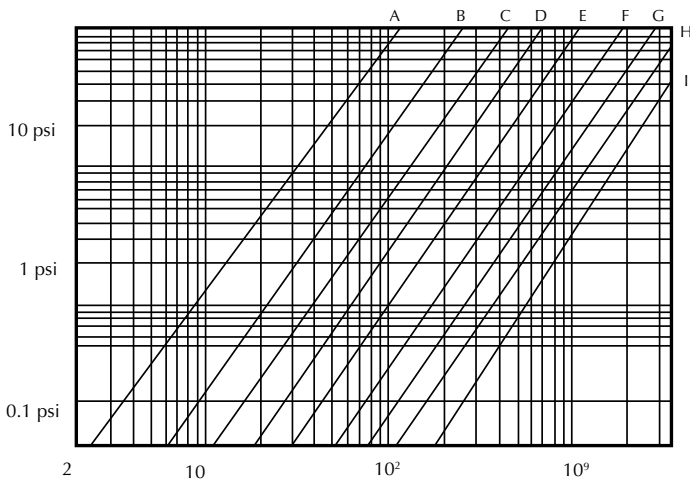
# MP Series

## Dimensional Data

d Inches	Thd/IN	d2	d1	d	D	L	L1	I	H1	H2	W
1/2	0.55	0.84	0.85	0.55	1.18	3.27	2.76	0.63	2.44	1.69	1.50
3/4	0.55	1.05	1.06	0.79	1.50	3.74	3.47	0.75	3.07	2.13	1.93
1	0.45	1.31	1.33	0.98	1.77	4.17	3.94	0.87	3.66	2.56	2.44
1 1/4	0.45	1.66	1.67	1.18	2.13	4.49	3.94	1.02	3.86	2.64	2.48
1 1/2	0.45	1.89	1.91	1.42	2.44	5.12	4.29	1.22	4.53	3.07	2.95
2	0.45	2.37	2.39	1.83	3.03	5.79	5.28	1.50	5.32	3.50	3.62

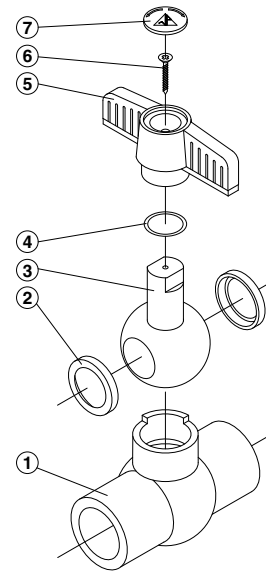


## Pressure Loss—Flow Diagram



- A = 1/2"
- B = 3/4"
- C = 1"
- D = 1 1/4"
- E = 1 1/2"
- F = 2"

## Parts Listing



NO.	PART	MATERIAL	Q'TY
1	BODY	UPVC,CPVC,ABS	1
2	SEAT SEAL	EPDM,PTFE	2
3	BALL	UPVC,CPVC,ABS,PP	1
4	O-RING	EPDM,FPM	1
5	HANDLE	ABS	1
6	BOLT	ZINC-PLATED STEEL	1
7	CAP	ABS	1