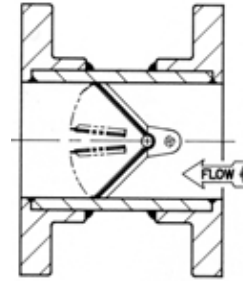


# TC Series

## Double Door Check Valve

**Material:** PVC, CPVC (Corzan™), PP, PVDF  
**Size:** 1" - 24"  
**Pressure Rating:** 150psi @ 73 deg F  
**Seals:** EPDM, Buna, Viton, or Teflon  
**Connections:** IPS Plain ends  
 ANSI 150lb Flanged  
 NPT Threaded  
 Wafer



**ISO 9002 CERTIFIED**

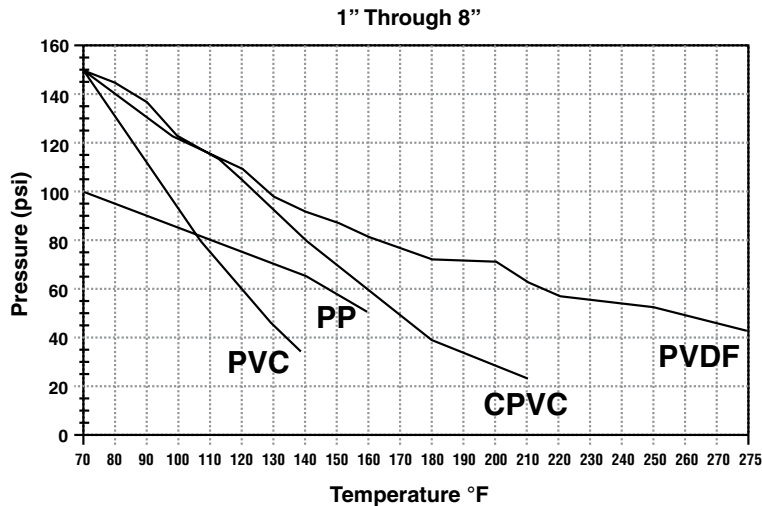
## Engineering Guide Specification

### Materials of Construction:

**PVC:** Class 12454B per ASTM D1784  
**CPVC:** Class 12454B per ASTM D1784  
**PP:** Class PP 110B76383 per ASTM D4101  
**PVDF:** Type 1 per ASTM D3222

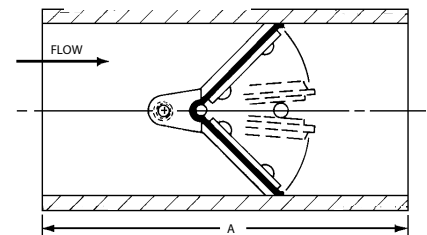
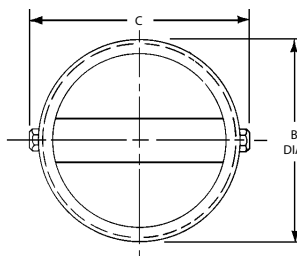
**Guide Specifications:** All double door check valves are constructed of the materials indicated. All valves are full port design. All valves shall have a continuous elastomer seal to provide a tight shut off. All elastomers are reinforced to provide durability and longer service life. Valve elastomer designed with plates to ensure sealing support and prevent over extension of valve seal, as manufactured by SIMTECH.

## Pressure/Temperature Graph: Working PSI/Fahrenheit



## Dimensional Data - Plain end

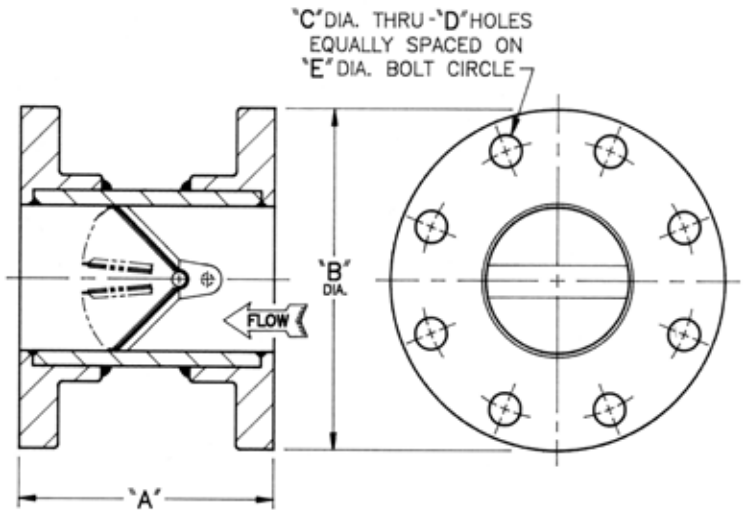
Dimensions			
d/Inches	A	B	C
1	3.500	1.315	1.625
1¼	3.500	1.660	2.000
1½	4.000	1.900	2.250
2	4.000	2.375	2.750
2½	5.000	2.875	3.250
3	5.500	3.500	3.875
4	6.000	4.500	4.875
6	8.000	6.625	7.125
8	10.000	8.625	9.500
10	12.000	10.750	11.500
12	14.000	12.750	13.750



# TC Series

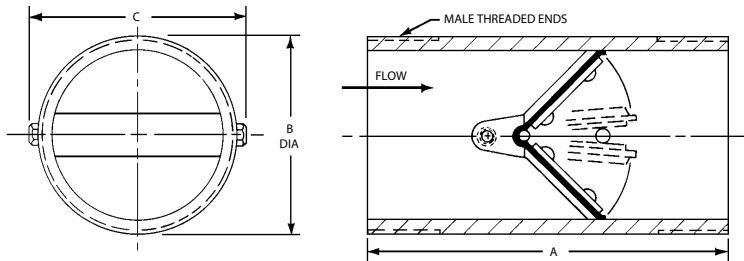
## Dimensional Data - Flanged

Dimensions					
d/Inches	A	B	C	D	E
1	3.500	4.250	0.625	4	3.125
1¼	4.000	4.625	0.625	4	3.500
1½	4.000	5.000	0.625	4	3.875
2	5.000	6.000	0.750	4	4.750
2½	5.500	7.000	0.750	4	5.500
3	6.000	7.500	0.750	4	6.000
4	7.000	9.000	0.750	8	7.500
6	11.500	11.000	0.825	8	9.500
8	13.500	13.500	0.825	8	11.750
10	14.000	16.000	1.000	12	14.250
12	16.000	19.000	1.000	12	17.000
14	18.000	21.000	1.125	12	18.750
16	20.000	23.500	1.125	16	21.250
18	22.000	25.000	1.250	16	22.750
20	24.000	27.500	1.250	20	25.000
24	28.000	32.000	1.375	20	29.500



## Dimensional Data - Threaded

Dimensions			
d/Inches	A	B	C
1	3.500	1.315	1.625
1¼	3.500	1.660	2.000
1½	4.000	1.900	2.250
2	4.000	2.375	2.750
2½	5.000	2.875	3.250
3	5.500	3.500	3.875
4	6.000	4.500	4.875
6	8.000	6.625	7.125
8	10.000	8.625	9.500
10	12.000	10.750	11.500
12	14.000	12.750	13.750



## Dimensional Data - Wafer

Dimensions			
d/Inches	A	B	C
1	1.750	2.625	-
1¼	1.825	3.000	0.125
1½	2.250	3.375	0.125
2	1.750	4.000	0.438
3	2.250	5.250	0.625
4	3.250	6.750	0.825
6	4.750	8.625	1.500
8	6.250	10.825	2.000

