
VB Series Electric Actuators and Accessories

Features & Benefits

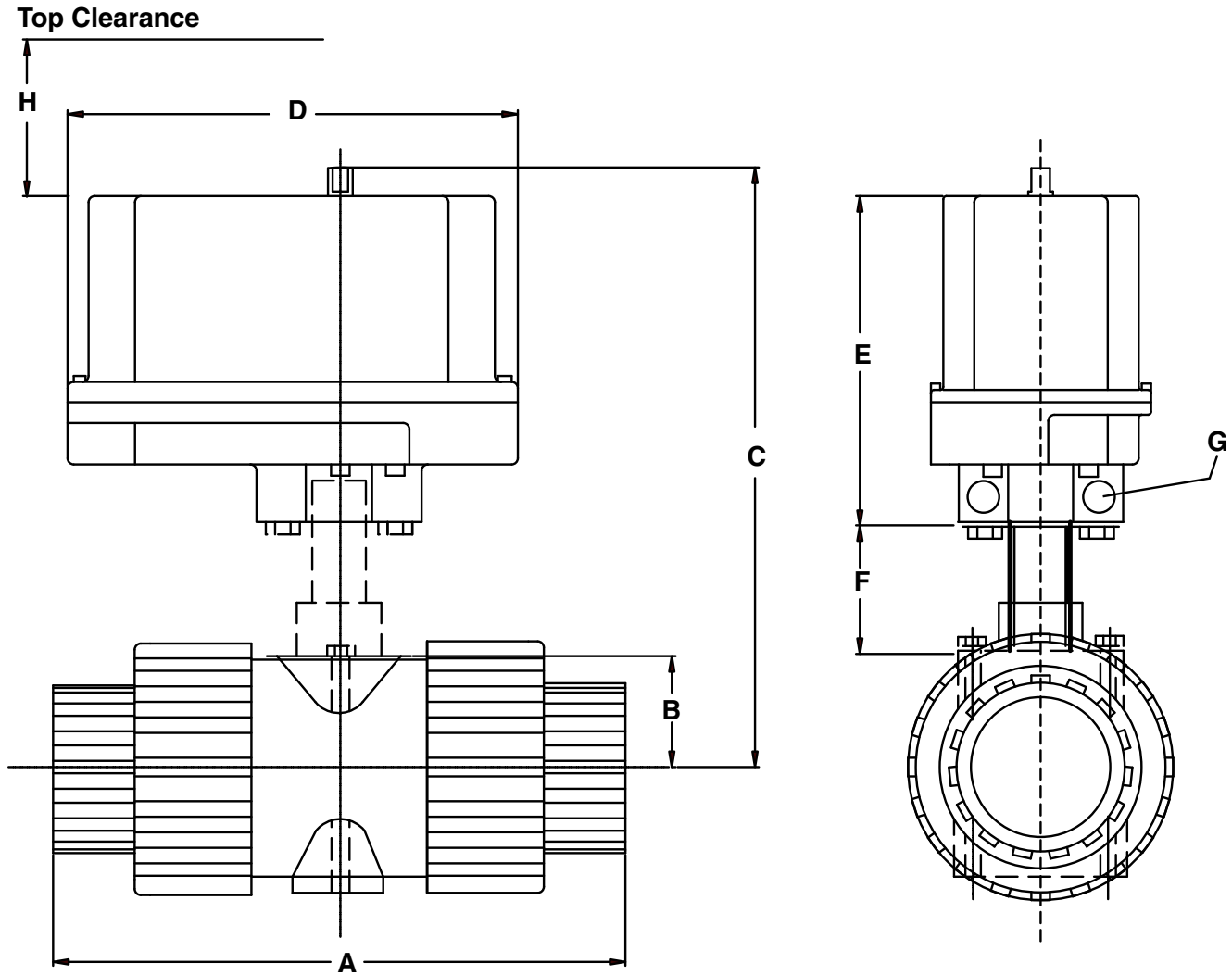
- Heavy duty gears can reduce down time due to gear failure.
- Permanent lubrication requires little or no maintenance.
- NEMA IV enclosure - Provides protection against splashing, seepage, falling or hose-directed water and severe external applications.
- Open/Close limit switches - SPDT limit switches permit independent fine-tuning of open and close positions.
- Cam-adjusted limit switches assure fast and easy adjustments.
- Extensive selection ranging from 100 in/lb to 27300 in/lb torque.
- Actuators can be mounted and operated in any position.
- Actuators can be used on diverse valve types and in a wide range of applications.
- Thermally bonded polyester coating provides a high degree of corrosion resistance.
- Stainless steel fasteners provide maximum corrosion protection for severe applications.
- Terminal strip assures a fast and easy field installation.
- Thermal over-load protection should the actuator become stalled.
- Reversing Motor.

Accessories & Options

- Auxiliary Switches - Dry contact switches for position indication or control of peripheral equipment.
- Feedback potentiometer - Resistive position feedback and control applications.
- Control relays - Two wire control applications.
- Heater & thermostat - Low temperature or high humidity applications.
- Breather & drain - Humidity control.
- Proportional Positioner - Control applications using analog (4-20mA, 0-10vdc) signals.
- Feedback transmitter - Position feedback, 4-20mA.
- Brakes - Butterfly valve automation and applications requiring true holding power.
- Speed control - Applications requiring slower cycle times, i.e. water hammer.
- Timers - Repeat cycle applications, valve open and close at same time every day.
- Visual indicator - Fast visual valve position indication.
- Torque sensor - Shuts actuator off in stall condition.
- Controls - Simple on/off to process control for temperature, pressure, flow, etc.
- Mounting hardware - To adapt actuator to valve.

VB Series Electric Actuators and Accessories

Dimensional Data



Electric Actuator								
Dia. Inches	A	B	C	D	E	F	H	G
1/2	5.20	1.08	8.65	5.63	4.88	1.60	2.50	1/2 NPT
3/4	5.20	1.08	8.65	5.63	4.88	1.60	2.50	1/2 NPT
1	5.67	1.30	9.08	5.63	4.88	1.60	2.50	1/2 NPT
1 1/4	6.50	1.61	10.27	5.63	4.88	2.16	2.50	1/2 NPT
1 1/2	6.73	1.93	10.90	5.63	4.88	2.16	2.50	1/2 NPT
2	7.87	2.36	9.76	6.88	5.88	2.16	3.00	1/2 NPT
2 1/2	10.75	6.69	15.34	6.88	5.88	2.78	3.00	1/2 NPT
3	11.93	7.28	18.54	8.50	7.00	2.78	4.00	1/2 NPT
4	12.83	10.35	21.61	8.50	7.00	2.78	4.00	1/2 NPT