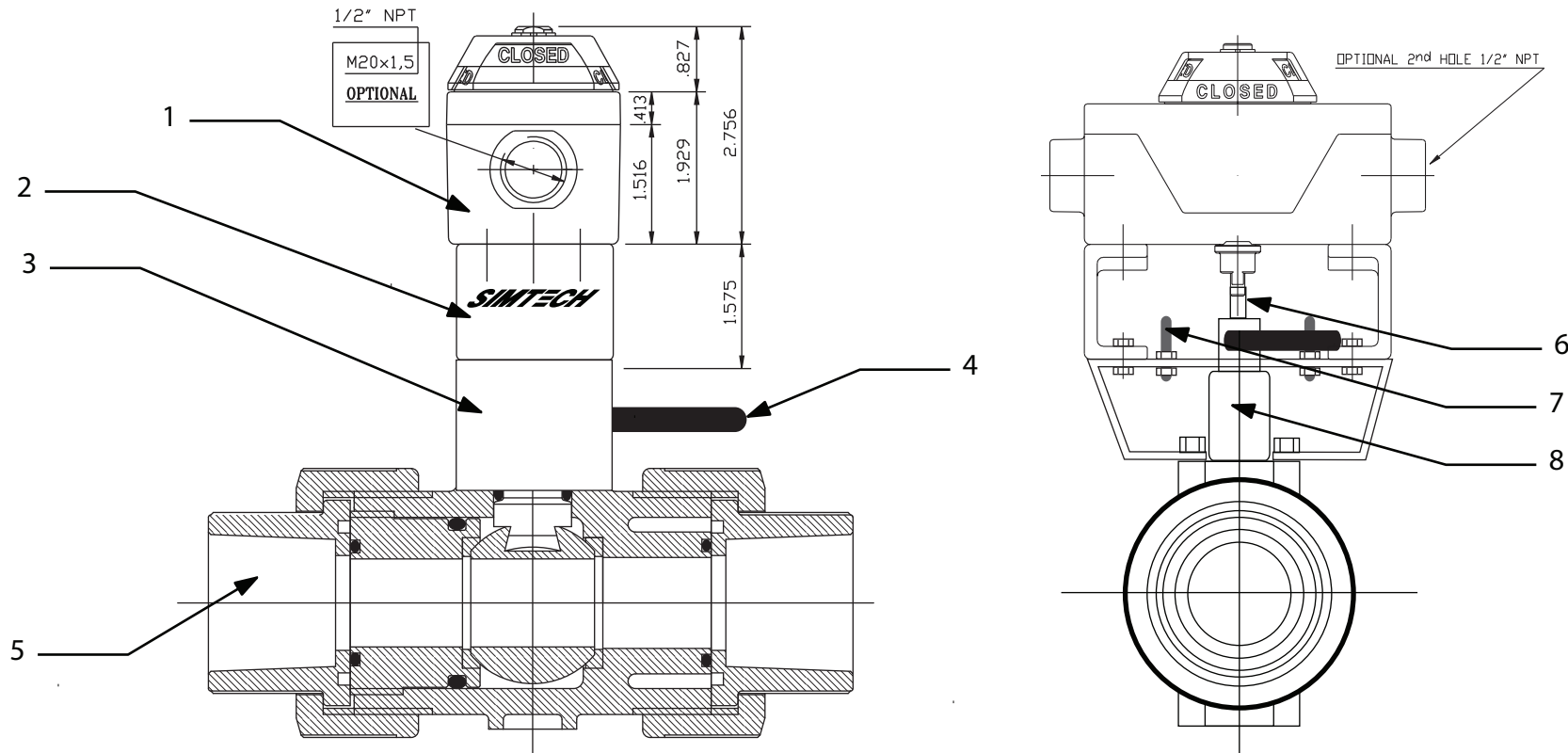


VB Series Ball Valve with Limit Switch



| Parts Description | |
|-------------------|---|
| 1 | Limit Switch (Techo-Polymer Housing, NEMA 4, 4x Rating) |
| 2 | Limit Switch Mounting Bracket (Techo-Polymer) |
| 3 | Mounting Bracket (Stainless Steel) |
| 4 | Operating Lever (Aluminium) |
| 5 | Valve Body (True Union Ball Valve) |
| 6 | Limit Switch Coupling (Techo-Polymer) |
| 7 | Stops (Aluminium) |
| 8 | Stem Actuation Coupling (Stainless Steel) |

| | |
|--|---|
| SIMTECH Corrosion Resistant High Purity Piping Systems | |
| 47-A Runway Road, Levittown, PA 19057 Ph (215) 547-0444 | |
| TITLE: VB - Series Ball Valve with Limit switch | |
| APPROVED BY: | E. McDonough / S. Mutton |
| SCALE: | N/A .5" Through 4" VB Series True Union Ball Valve with Limit Switch (Max-Air) |
| CAD #: | N/A |
| REVISED: | 05-29-08 |
| DATED: | 08-08-06 |
| | 1254.E-1 |