
VB Series Ball Valve Operating, Installation & Maintenance Manual

SIMTECH
47-A Runway Road, Levittown, Pa 19057,
PH: 215-547-0444; Fax: 215-547-3410

Installation Instructions For Simtech Valves

SIMTECH RECOMMENDS READING THE FOLLOWING INFORMATION PRIOR TO INSTALLING AND USING OUR VALVES, STRAINERS, CONTROLS AND OTHER ASSOCIATED PRODUCTS.

FAILURE TO FOLLOW THESE INSTRUCTIONS MAY RESULT IN SERIOUS INJURY.

1. Simtech guarantees its products against defective material and workmanship only. Simtech assumes no responsibility for damage or injuries resulting from improper installation, misapplication, or abuse of any product.
2. Simtech assumes no responsibility for damage or injury resulting from chemical incompatibility between its products and the process fluids to which they are subjected. Compatibility charts provided in Simtech literature are based on ambient temperatures of 70F and are for reference only. Customer should always test to determine application suitability.
3. Consult Simtech literature to determine operating pressure and temperature limitations before installing any Simtech product. Note that the maximum recommended fluid velocity through any Simtech product is eight feet per second. Higher flow rates can result in possible damage due to the water hammer effect. Also note that maximum operating pressure is dependent upon material selection as well as operating temperature.
4. Simtech products are designed primarily for use with non-compressible liquids. They should NEVER be used or tested with compressible fluids such as compressed air or nitrogen.
5. Systems should always be depressurized and drained prior to installing or maintaining Simtech products.
6. Temperature effect on piping systems should always be considered when the systems are initially designed. Piping systems must be designed and supported to prevent excess mechanical loading on Simtech equipment due to system misalignment, weight, shock, vibration, and the effects of thermal expansion and contraction.
7. Because PVC and CPVC plastic products become brittle below 40F, Simtech recommends caution in their installation and use below this temperature.
8. Published operating torque requirements are based upon testing of new valves using clean water at 70F. Valve torque is affected by many factors including fluid chemistry, viscosity, flow rate, and temperature. These should be considered when sizing electric or pneumatic actuators.
9. Due to differential thermal expansion rates between metal and plastic, transmittal of pipe vibration, and pipe loading forces **DIRECT INSTALLATION OF METAL PIPE INTO PLASTIC CONNECTIONS IS NOT RECOMMENDED.** Wherever installation of plastic valves into metal piping systems is necessary, it is recommended that at least 10 pipe diameter in length of plastic pipe be installed upstream and downstream of the plastic valve to compensate for the factors mentioned above.

SOCKET CONNECTION:

Socket end connections are manufactured to ASTM D2467-94. Solvent cementing of socket end connections to pipe should be performed per ASTM specifications D2855-87. Cut pipe square. Chamfer and deburr pipe. Surfaces must be cleaned and free of dirt, moisture, oil and other foreign material. Remove assembly nuts and end connectors from valve body. Slide assembly nuts, with threads facing valve, onto pipe to which the end connector is to be cemented. Apply primer to inside socket surface of end connector. Never allow primer or cement to contact valve ball or end connector o-ring sealing surfaces, as leaking may result. Use a scrubbing motion. Repeat applications may be necessary to soften the surface of the socket. Next, liberally apply primer to the male end of the pipe to the length of the socket depth. Again apply to the socket, without delays apply cement to the pipe while the surface is still wet with primer. Next apply cement lightly, but uniformly to the inside of the socket. Apply a second coat of cement to the pipe, and assemble the end connector to the pipe, rotating the end connector 1/4 turn in one direction as it is slipped to full depth on to the pipe. The end connector should be held in position for approx. 30 seconds to allow the connection to "set". After assembly wipe off excess cement. Full set time is a minimum of 30 minutes at 60 to 100 F. Full cure time should be based on the chart below.

THREADED CONNECTION:

Threaded end connections are manufactured to ASTM specifications D2464-88, F437-88 and ANSI B2.1. Wrap threads of pipe with Teflon tape of 3 to 3-1/2 mil thickness. The tape should be wrapped in a clockwise direction starting at the first or second full thread. Overlap each wrap by 1/2 the width of the tape. The wrap should be applied with sufficient tension to allow the threads of a single wrapped area to show through without cutting the tape. The wrap should continue for the full effective length of the thread. Pipe sizes 2" and greater will not benefit with more than a second wrap, due to the greater thread depth. To provide a leak proof joint, the pipe should be threaded into the end connection "hand tight". Using a strap wrench only. (Never use a stillson type wrench) tighten the joint an additional 1/2 to 1-1/2 turns past hand tight. Tightening beyond this point may induce excessive stress that could cause failure.

FLANGED CONNECTION:

Flange bolts should be tight enough to slightly compress the gasket and make a good seal, without distorting or putting excessive stress on the flanges. Suitable washers should be used between the bolt head and flange and the nut and flange. Bolts should be tightened in alternating sequence.

RECOMMENDED FLANGE BOLT TORQUE

FLANGE SIZE	BOLT DIA.	TORQUE FT. LBS.
1/2"	1/2"	10-15
3/4"	1/2"	10-15
1"	1/2"	10-15
1-1/4"	1/2"	10-15
1-1/2"	1/2"	10-15

FLANGE SIZE	BOLT DIA.	TORQUE FT. LBS.
2"	5/8"	15-25
2-1/2"	5/8"	20-25
3"	5/8"	20-25
4"	5/8"	20-25
6"	3/4"	30-40

NOTE: USE WELL LUBRICATED METAL BOLTS AND NUTS. USE SOFT RUBBER GASKETS.

Adjustment / Replacing Seals For VB Series True Union Ball Valve

SIMTECH RECOMMENDS EXTREME CAUTION MUST BE TAKEN WHEN WORKING ON THIS VALVE. THE PIPING SYSTEM MUST BE DEPRESSURIZED AND DRAINED. PROPER CARE MUST BE TAKEN. CONSULT M.S.D.S. (MATERIAL SAFETY DATA SHEETS) INFORMATION REGARDING YOUR SPECIFIC APPLICATION AND MEDIA.

Disassembly of VB Series Valve

1. Remove the Union nut and end connector from the body, or the complete valve body from the piping system. Position the valve in the "Closed" position.
2. Using the handle, remove the carrier from the body turning it counter clockwise.
3. From the other end of the valve body apply pressure to the ball. This will forced the ball from the body.
4. From the top of stem apply pressure forcing the stem through the body and out.

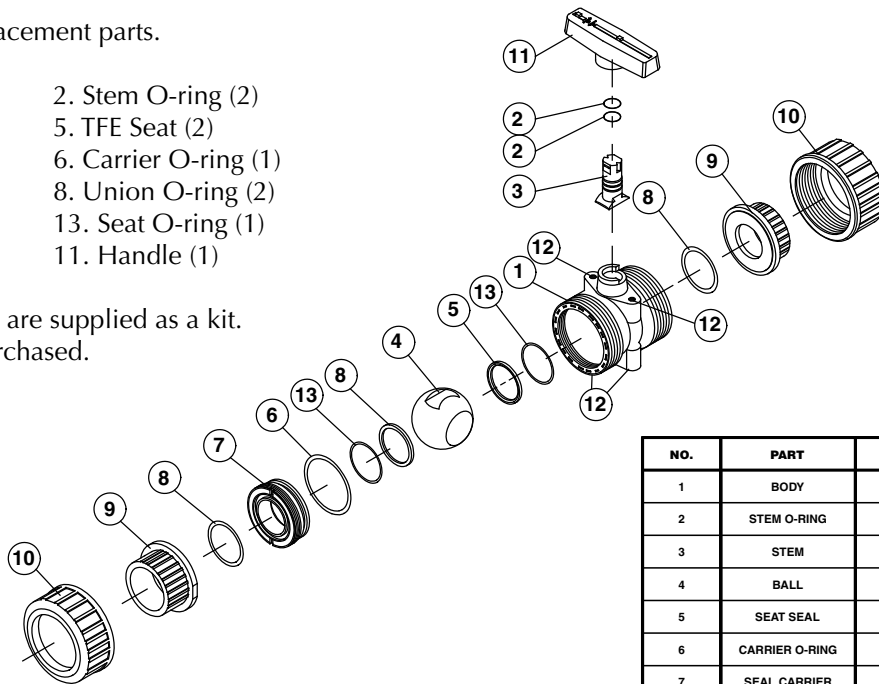
Replacement of Seal Kit

The o-rings and seals are now accessible for replacement using a "seal" repair kit. Carefully remove the o-rings from their respective locations taking care not to scratch their sealing surfaces. Use a non-petroleum base lubricant to lubricate the o-rings, and re-assemble the valve.

The following is a list of replacement parts.

2. Stem O-ring (2)
5. TFE Seat (2)
6. Carrier O-ring (1)
8. Union O-ring (2)
13. Seat O-ring (1)
11. Handle (1)

Note: Items 2, 5, 6, 8 and 13 are supplied as a kit. Individual part cannot be purchased.



NO.	PART	MATERIAL	QTY
1	BODY	UPVC,CPVC,PP,PVDF,ABS	1
2	STEM O-RING	EPDM,FPM	2
3	STEM	UPVC,CPVC,PP,PVDF,ABS	1
4	BALL	UPVC,CPVC,PP,PVDF,ABS	1
5	SEAT SEAL	PTFE	2
6	CARRIER O-RING	EPDM,FPM	1
7	SEAL CARRIER	UPVC,CPVC,PP,PVDF,ABS	1
8	UNION O-RING	EPDM,FPM	2
9	END CONNECTOR	UPVC,CPVC,PP,PVDF,ABS	2
10	UNION NUT	UPVC,CPVC,PP,PVDF,ABS	2
11	HANDLE	ABS,PP	1
12	INSERTED NUT	ABS,PP	4
13	BODY O-RING	EPDM, FPM	2

Adjustment of Union Nut

The o-rings and seals are now accessible for replacement using a "seal" repair kit. Carefully remove the o-rings from their respective locations taking care not to scratch their sealing surfaces.

The Union nut (10) should be installed on the valve "hand tight". Using a strap wrench only the joint may be tightened 1/2 to 3/4 of a turn past hand tight.