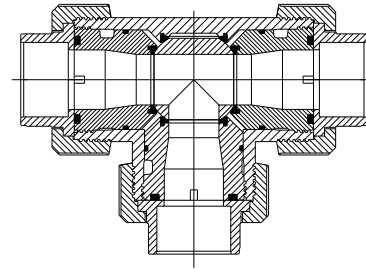


VL Series

3-Way Ball Valve

Material:	PVC, PP, and PVDF
Size:	3/8" - 2"
Pressure Rating:	232 psi
Seats:	PTFE
Seals:	EPDM or Viton
Connections:	IPS Socket NPT Threaded ANSI 150 lb Flanged



ISO 9002 CERTIFIED

Engineering Guide Specification

Materials of Construction:

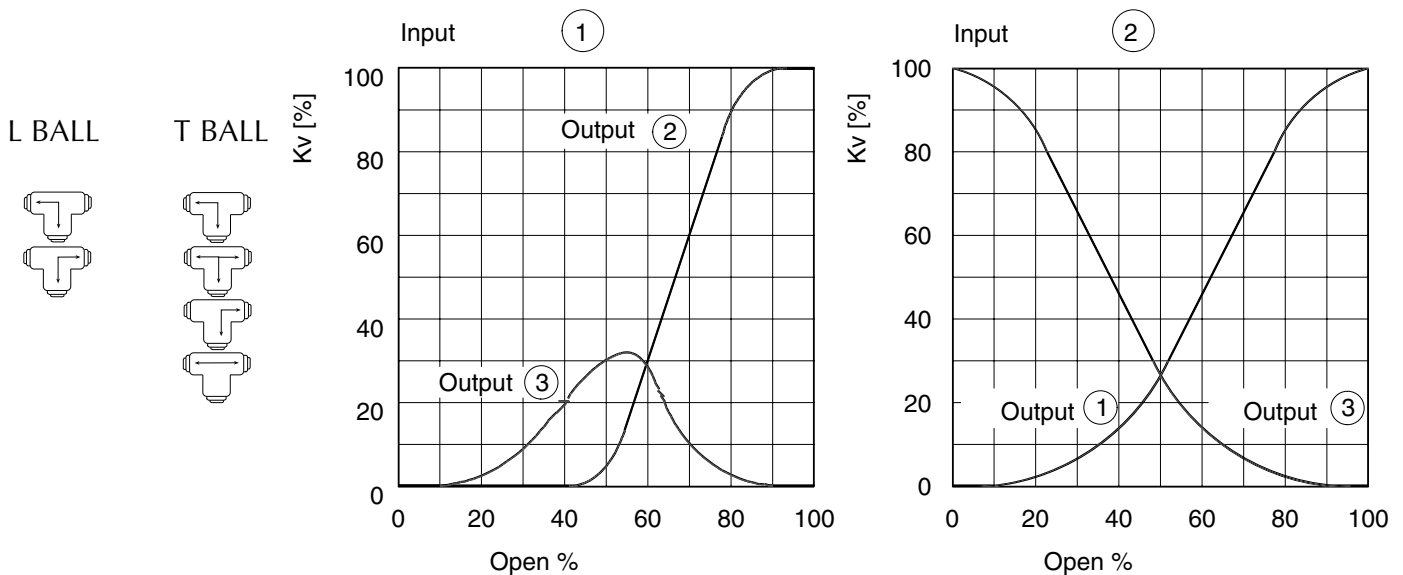
- PVC:** Class 12454B per ASTM D1784
- PP:** Class PP 110B76383 per ASTM D4101
- PVDF:** Type 1 per ASTM D3222
- Seals:** EPDM or Viton
- Seats:** PTFE

Guide Specification: All 3-Way ball valves are constructed with the materials indicated. All valves shall be true union design with teflon seats energized by an O-Ring. All valves supplied with Safety handle equipped with lockout/tagout, standard, as manufactured by SIMTECH.

Special Features

- L-Port or T-Port Balls Available
- True Union full port design
- Energized Teflon Seats
- Safety handle equipped with lockout/tagout standard
- Electric and Pneumatic Actuation Available

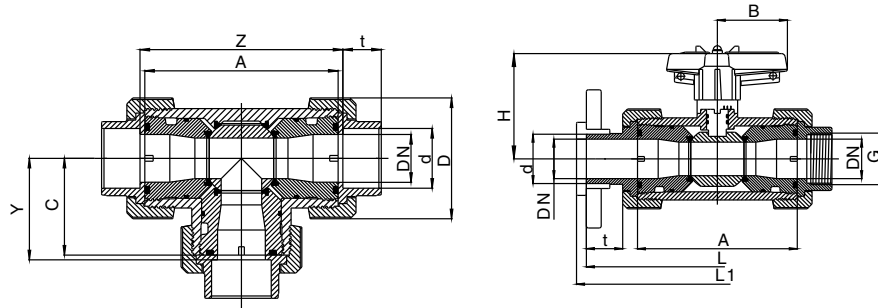
Flow Rate in Gallons Per Minute



VL Series

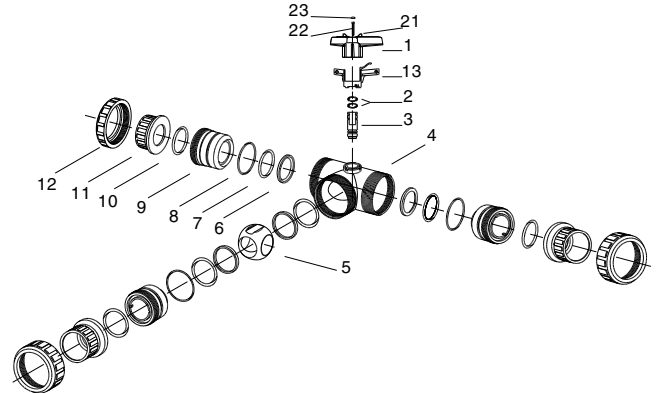
Dimensional Data

d Inches											
	L	L1	A	Z	T	D	H	B	Y	C	PN
1/2"	6.38	6.61	3.94	4.15	0.65	2.09	2.83	1.57	2.08	1.97	0.63
3/4"	-	-	4.72	4.96	0.79	2.76	3.21	2.03	2.48	2.36	0.63
1"	7.87	8.11	4.72	5.00	0.89	2.76	3.21	2.03	2.50	2.36	0.63
1 1/4"	-	-	6.38	6.65	1.08	3.98	4.23	2.87	3.33	3.19	0.63
1 1/2"	10.28	10.51	6.38	6.73	1.24	3.98	4.23	2.87	3.37	3.19	0.63
2"	11.65	11.89	7.13	7.60	1.52	4.78	4.59	3.35	3.80	3.56	0.63



Parts Listing

- | | |
|-----------------------|----------------------------------|
| 1. Handle L or T | 9. Thrust collar |
| 2. O-Ring | 10. O-Ring |
| 3. Shaft | 11. Connection |
| 4. Body | 12. Union nut |
| 5. Ball L or T | 13. Spring loaded locking sleeve |
| 6. Ball seating joint | 21. Spigot |
| 7. O-Ring | 22. Screw |
| 8. O-Ring | 23. Cover for screw |



Pressure Loss—Flow Diagram

