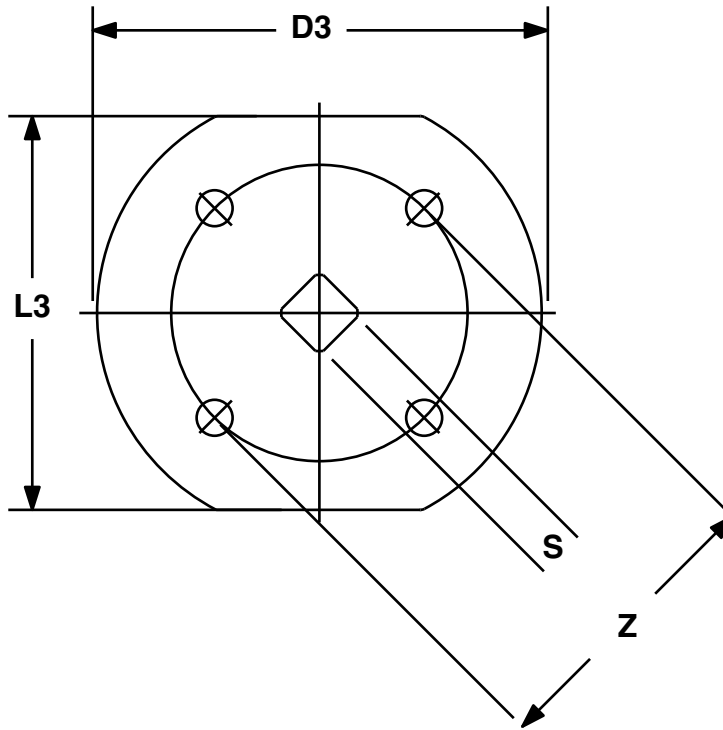


VP Series Butterfly Valve Stem and Mounting Pad Information



D3	L3	D3	S	Z	STEM HEIGHT
2"	3.701	4.134	0.390	F07	2.480
2 ½"	3.701	4.724	0.390	F07	2.441
3"	3.701	4.843	0.390	F07	2.441
4"	3.937	5.315	0.512	F07	2.598
6"	3.937	6.654	0.709	F07 / F10	3.268
8"	4.803	7.913	0.709	F07 / F10	3.268

Dimensions shown in inches

Stem can be cut down

ISO F07 = 2.756"

ISO F10 = 4.016"

Upon Request - Simtech can supply our valves with the above ISO mounting patterns and stem modifications. Consult factory for pricing.