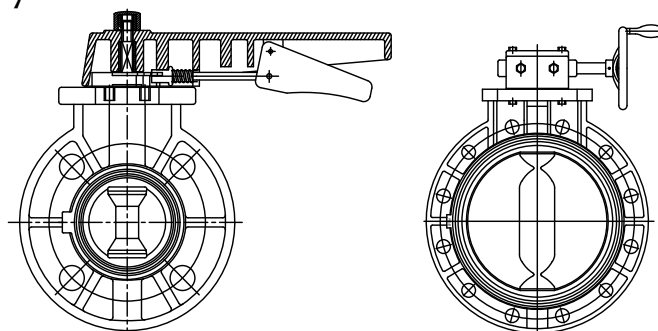


VP Series

Lever Handle/Gear Operated Butterfly Valve

Material:	Body/Disc PVC/PP, CPVC/CPVC (Corzan) PVDF/PVDF, PVC/PVDF
Size:	2" - 8" lever handle 8" - 24" gear operated
Pressure Rating:	see chart
Seals:	EPDM, Viton, or Buna
Connections:	ANSI 150 Flanged



ISO 9002 CERTIFIED

Engineering Guide Specification

Guide Specification: All Butterfly Valves are constructed of the materials indicated. Shaft shall be stainless steel, run through entire disc and be removable and replaceable independently of the disc.

Shaft shall be protected by a double seal arrangement on top and bottom of the disc. Each double seal arrangement will feature a dynamic seal (o-ring) and static seal

(integrally molded on the liner).

Liner shall be molded and contoured through the entire body and face of the valve to act as a flange gasket. Liner and disc shall be the only wetted parts. Butterfly valves must be bubble tight and flange design, as manufactured by SIMTECH.

Special Features

- Bubble tight closure
- Ideally suited to flow control in minimum spaces
- Disc designed to minimize flow loss
- Easy to view position indicator
- Stem is isolated and not a wetted part
- Optional gear operators for all sizes
- Electric or pneumatic actuation available
- Lugs available for all sizes
- Optional stem extensions and/or square operating nuts available
- Automation (See Actuation)

Flow Rate in Gallons Per Minute

ND	2	2½	3	4	6	8	10	12	14	16	18	20	24
C _v	100	265	390	500	1160	1995	3570	5048	6400	8300	10800	16000	18500

C_v is the number of gallons per minute of water at a temperature of 68°F that will flow through a valve with a 1 psi pressure differential at a specified travel.

Pressure/Temperature Graph: Working PSI/Fahrenheit

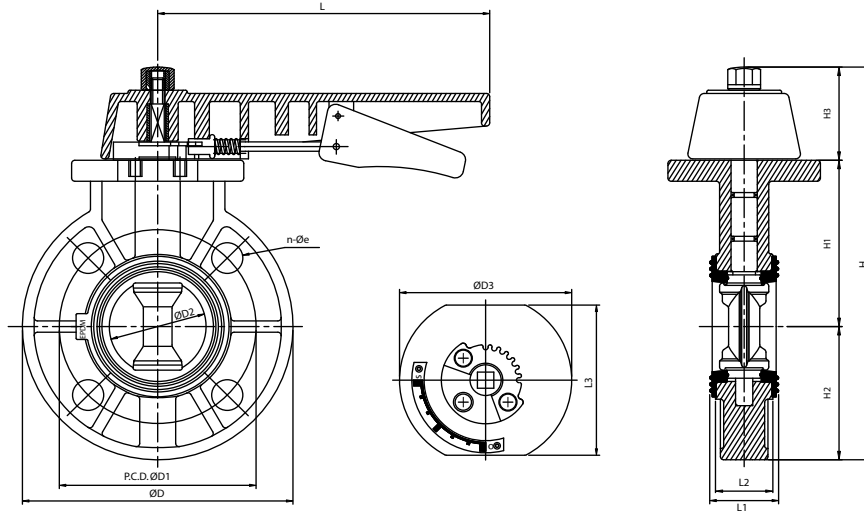
	Seat / Seal	Oper. Temp	2	2 1/2	3	4	6	8	10	12	14	16	18	20	24
PVC Body	EPDM/VITON	70° F	150	150	150	150	150	150	150	100	100	86	75	75	75
	EPDM/VITON	120° F	100	100	100	100	100	100	100	60	45	45	45	30	30
PP Disc	EPDM/VITON	140° F	70	70	70	45	45	40	30	30	30	45	45	45	30
	EPDM/VITON	180° F	30	30	30	30	30	20	15	15	Consult Factory				
PVDF Body	VITON	70° F	150	150	150	150	150	150	150	100	100	86	72	51	51
	VITON	150° F	100	100	100	100	100	100	100	60	45	45	45	30	30
PVDF Disc	VITON	210° F	85	85	85	85	85	85	85	40	30	30	30	25	25
	VITON	250° F	70	70	70	70	70	70	70	20	15	15	15	15	15

* Contact Factory for dimensions not shown

VP Series

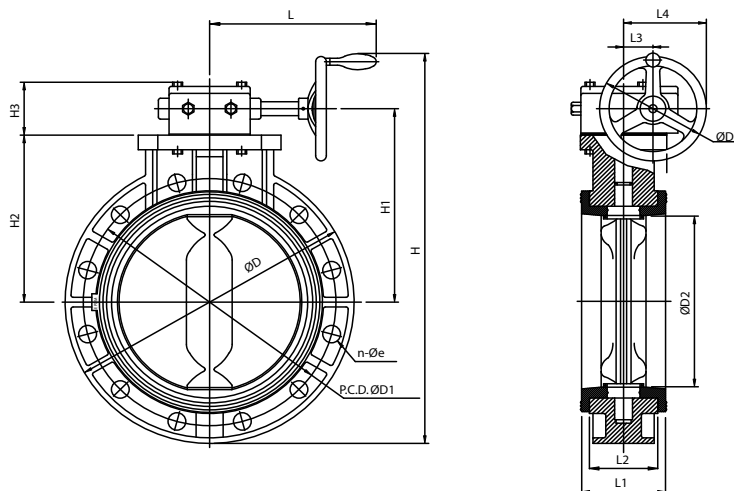
Dimensional Data - Lever Handle

d Inches	Lever Operated													# of Holes	Hole Size
	D	D1	D2	D3	H	H1	H2	H3	L	L1	L2	L3	L4		
2"	6.50	4.76	2.22	4.13	9.78	4.06	3.25	2.48	7.83	1.69	1.38	3.70	-	4	0.75
2½"	7.28	5.51	2.74	4.72	10.53	4.45	3.64	2.44	7.83	1.81	1.42	3.70	-	4	0.75
3"	7.91	5.98	3.13	4.84	10.91	4.53	3.94	2.44	7.83	1.81	1.42	3.70	-	4	0.75
4"	9.02	7.52	4.04	5.31	12.44	5.33	4.51	2.60	10.00	2.56	1.85	3.94	-	8	0.75
6"	11.22	9.49	6.06	6.65	15.93	6.97	5.61	3.27	11.69	2.78	2.44	3.94	-	8	0.87
8"	13.50	11.73	7.99	7.91	18.29	8.27	6.75	3.27	11.69	3.43	2.99	4.80	-	8	0.87



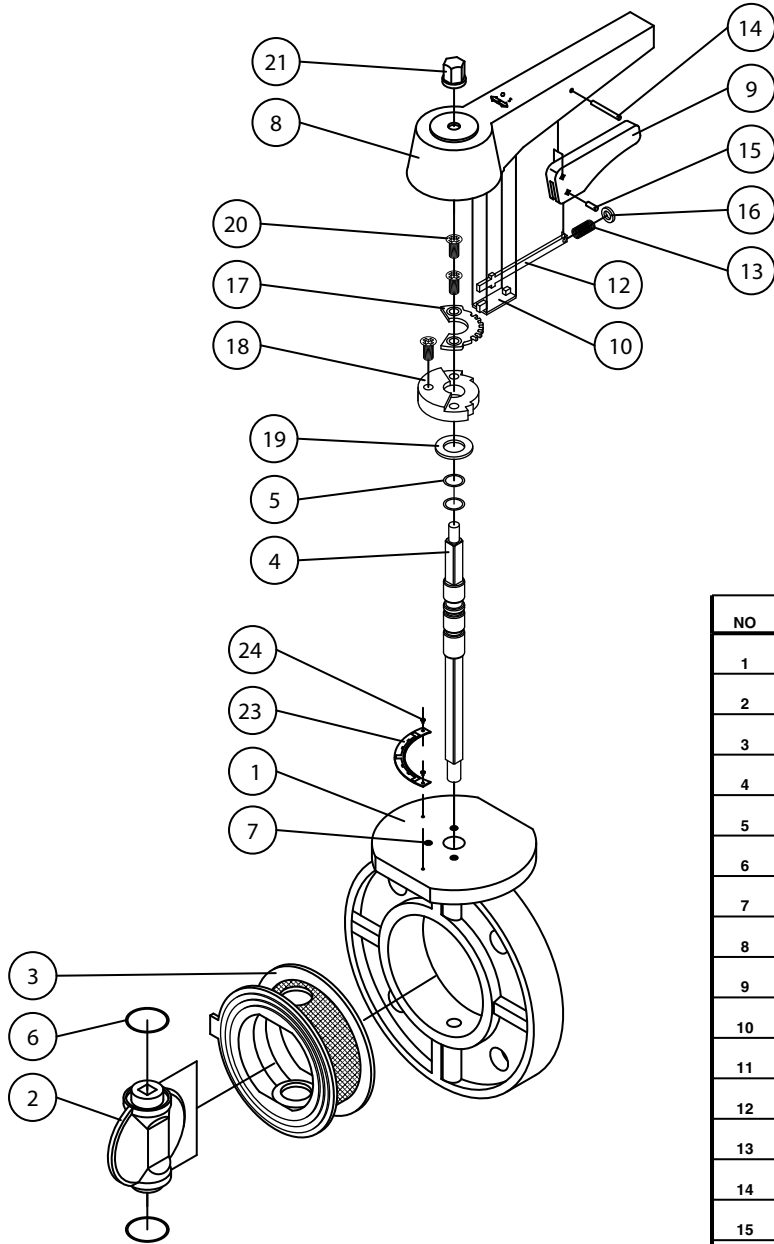
Dimensional Data - Gear Operated

d Inches	Gear Operated													# of Holes	Hole Size
	D	D1	D2	D3	H	H1	H2	H3	L	L1	L2	L3	L4		
8"	13.50	11.73	7.87	7.87	21.26	9.84	8.27	2.99	10.91	3.44	3.09	2.24	6.18	8	0.87
10"	16.18	14.25	10.04	7.87	23.23	11.02	9.45	2.99	10.94	4.33	3.76	2.24	6.18	12	0.98
12"	19.29	17.01	12.24	9.84	28.03	13.27	11.69	2.99	12.99	5.20	4.59	2.36	7.28	12	0.98
14"	20.87	18.74	13.98	9.84	28.74	13.39	11.81	2.99	12.99	5.00	4.45	2.36	7.28	12	1.14
16"	23.62	21.26	15.51	11.81	34.45	16.73	13.78	4.72	13.90	6.61	6.02	3.19	9.09	12	1.14
18"	25.00	22.76	17.80	11.81	34.88	16.46	14.57	4.33	10.83	7.05	6.42	5.31	11.22	16	1.26
20"	27.52	25.00	19.76	15.75	39.29	17.64	15.75	5.24	13.78	7.48	6.73	5.31	13.19	20	1.26
24"	32.01	29.49	23.74	15.75	44.09	20.20	18.31	5.24	13.78	8.23	7.52	5.31	13.19	20	1.38



VP Series

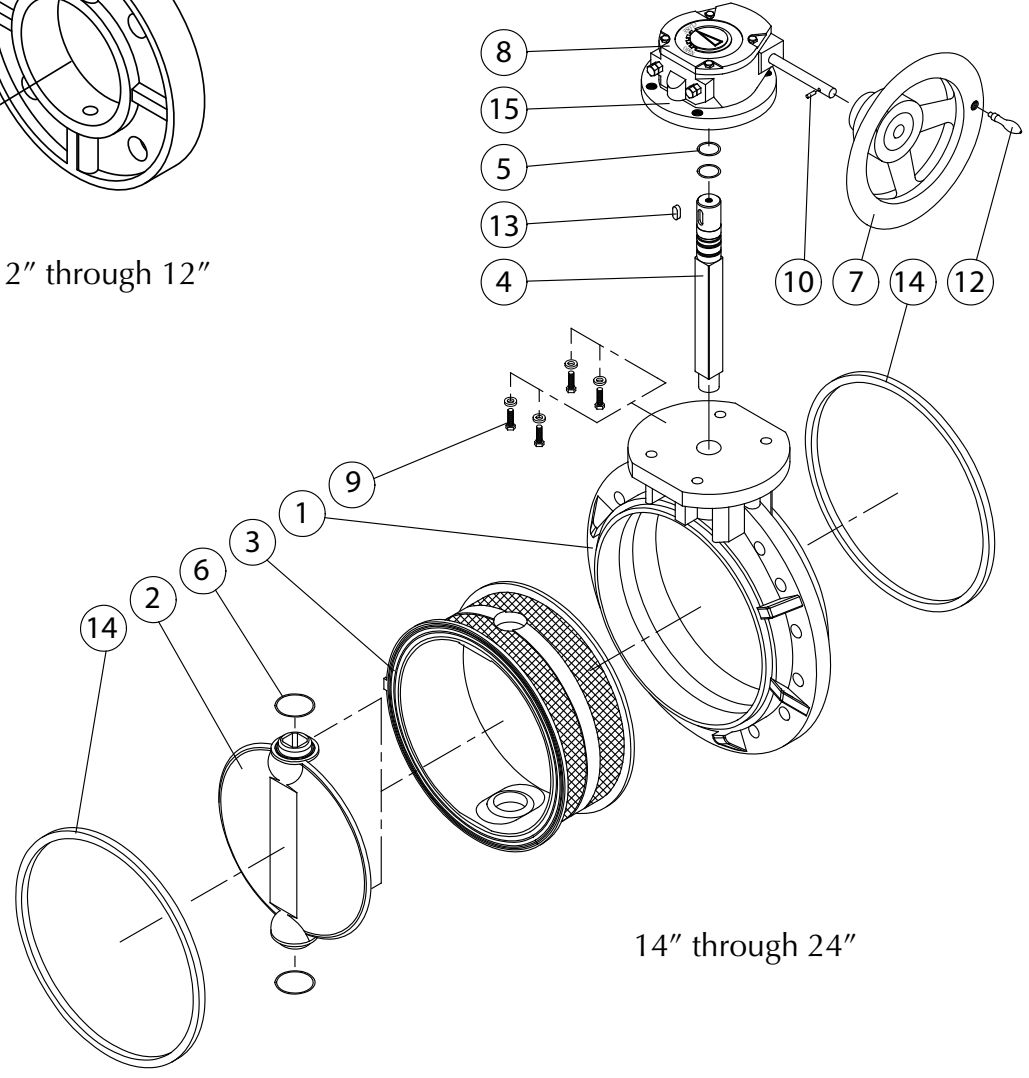
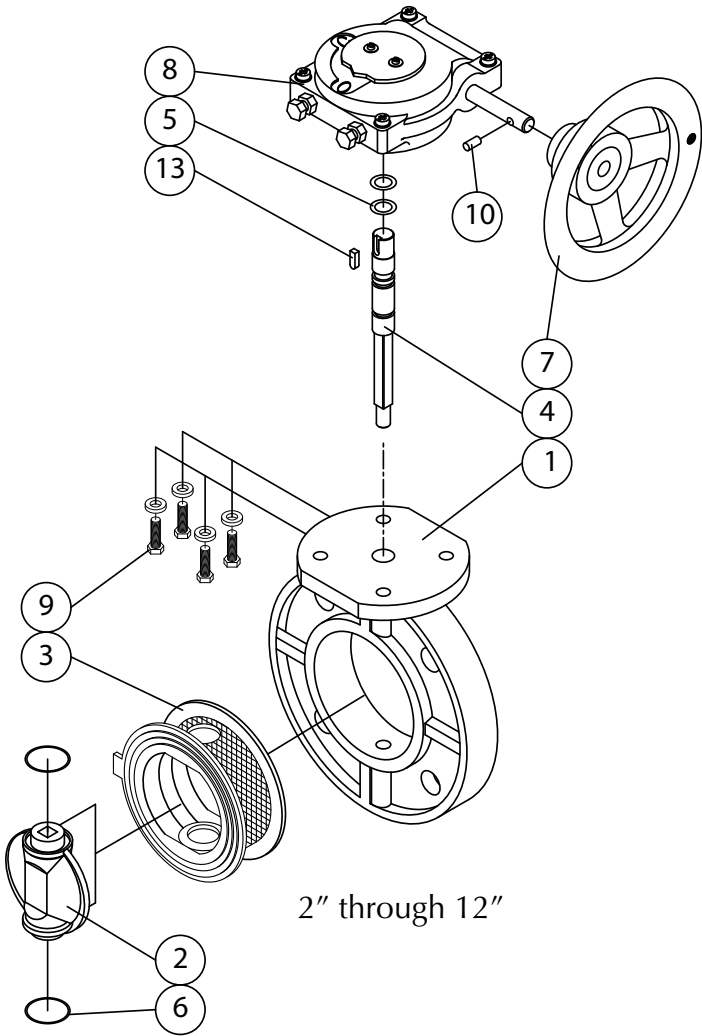
Parts Listing - Lever Handle



NO	PART	MATERIAL	QTY
1	BODY	PVC,PP,PVDF,CPVC	1
2	DISC	PVC,PP,PVDF,CPVC	1
3	SEAT SEAL	EPDM,FPM	1
4	STEM	SUS	1
5	"O"-RING	EPDM,FPM	2
6	"O"-RING	EPDM,FPM	2
7	INSERTED NUT	C3604	3
8	LARGE HANDLE	PP	1
9	SMALL HANDLE	PP	1
10	SPRING LOCK	PP	1
11	HANDLE INSERT	SUS	1
12	HANDLE LEVER	SUS	1
13	SPRING	SUS	1
14	SPRING PIN	SUS	1
15	SPRING PIN	SUS	1
16	WASHER	SUS	1
17	LOCKING PLATE	SUS	1
18	GEAR SEAT	PVC,PVDF	1
19	WASHER 2"-5"	SUS	1
20	BOLT	SUS	3
21	NUT	PVC,PVDF	1
22	INSERT NUT	C3604	1
23	LEVEL	SUS304	1
24	RIVET	SUS	2

VP Series

Parts Listing - Gear Operated



Number	Description	Material	Qty
1	Body	PVC, CPVC, PP, PVDF	1
2	Disc	PVC, CPVC, PP, PVDF	1
3	Seat Seal	EPDM, VITON	1
4	Stem	Stainless Steel - 304	1
5	O-Ring	EPDM, VITON	2
6	O-Ring	EPDM, VITON	2
7	Hand Wheel	FC - Cast Iron	1
8	Gear Box	FC - Cast Iron	1
9	Bolt & Washer	Stainless Steel - 304	4
10	Spring Pin	Stainless Steel - 41	1
11	Packing	EPDM	1
12	Small Handle	Stainless Steel - 304	1
13	Key	Stainless Steel - 45C	1
14	Seal	Stainless Steel - 304	2
15	Metal Stat	Stainless Steel - 41	1
15	Insert Nut	C3604	4