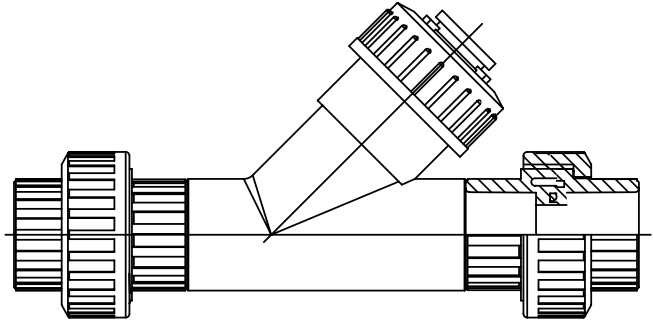


VY Series

Wye Strainers

- Material:** PVC, CPVC (Corzan™)
Size: ½" - 8"
(½" - 2" Wye Pattern)
(2" - 8" Tee Pattern)
- Pressure Rating:** 150psi
Seals: EPDM or Viton
Connections: Flanged,
IPS Socket
FNPT



ISO 9002 CERTIFIED

Engineering Guide Specification

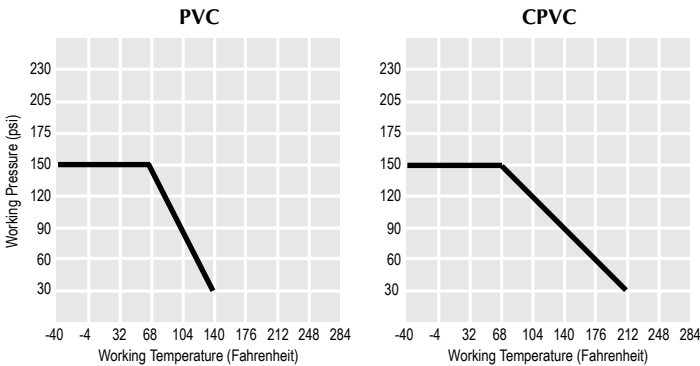
Materials of Construction:

- PVC:** Class 12454B per ASTM D1784
CPVC: Class 12454B per ASTM D1784

Special Features

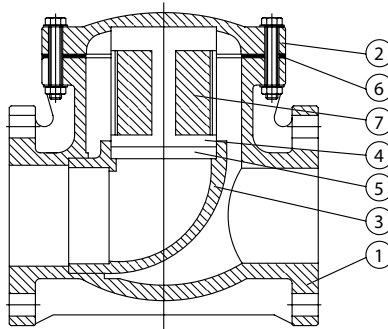
- Protects Critical Pipeline Components by Removing solids and suspended impurities.
- Filter screen option includes four mesh sizes for easy and rapid interchangeability.
- PVC Strainer body is molded.
- Top entry design makes In-Line Maintenance easy.
- Strainer design ensures total filtration of pipeline flow.

Pressure/Temperature Graph: Working PSI/Fahrenheit



Parts Listing

1. Body
2. Bonnet
3. 90° Ell
4. Inner Body
5. Outer Body
6. Gasket
7. Filter

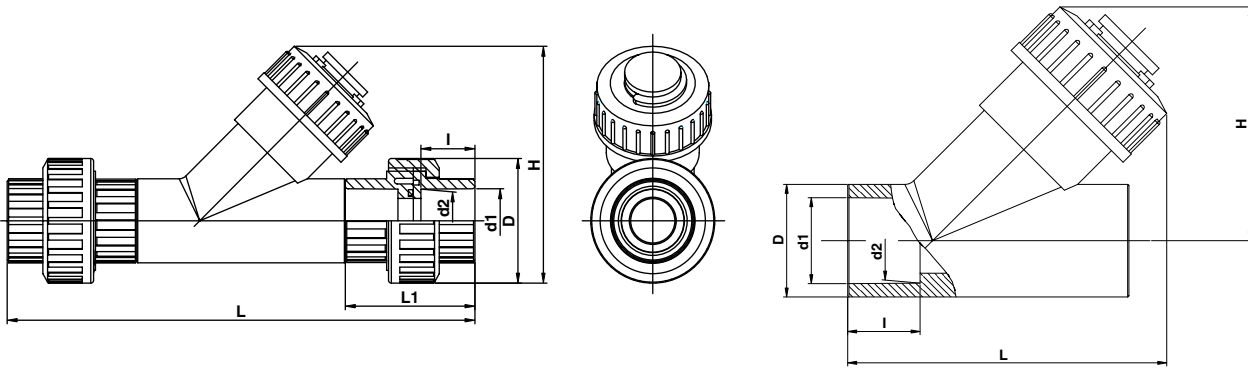


SIMTECH

Phone: 877-777-2467 • Fax: 215-547-9129
www.SimtechUSA.com

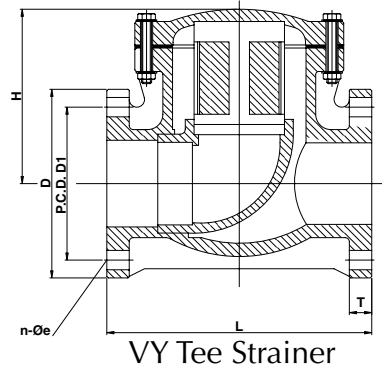
VY Series

Dimensional Data



VY Wye Strainer

VY Spigot Strainer



VY Tee Strainer

VY Tee Strainer Dimensions

d/Inches	d/mm	D	D1	L	H	T
2	63	5.98	4.72	7.87	6.54	0.79
2½	75	7.01	5.51	9.45	6.71	0.87
3	90	7.52	6.00	10.24	6.69	0.87
4	110	9.02	7.50	11.81	8.50	0.94
6	150	11.22	9.49	15.75	11.26	1.02
8	200	13.50	11.73	19.69	13.23	1.18

VY Spigot Strainer Dimensions

d/Inches	d/mm	D	D1	D2	L	H	I
½	20	1.18	0.85	0.84	3.74	2.62	0.87
¾	25	1.42	1.06	1.05	4.29	3.03	1.00
1	32	1.73	1.32	1.31	5.00	3.57	1.13
1¼	40	2.40	1.67	1.66	6.69	4.83	1.25
1½	50	2.40	1.89	1.89	6.69	4.83	1.38
2	63	3.03	2.37	2.37	7.60	5.66	1.50

VY Wye Strainer Dimensions

d/Inches	d/mm	D	D1	D2	I	L	L1	H
½	20	1.81	0.85	0.84	0.87	7.56	2.13	3.62
¾	25	2.17	1.06	1.05	1.00	8.70	2.44	4.37
1	32	2.60	1.32	1.31	1.13	9.76	2.72	5.04
1¼	40	3.23	1.67	1.66	1.25	12.80	3.35	6.30
1½	50	3.86	1.91	1.89	1.38	13.11	3.50	6.69
2	63	4.72	2.39	2.37	1.50	14.65	3.74	7.99

SIMTECH

Phone: 877-777-2467 • Fax: 215-547-9129

www.SimtechUSA.com