

# WC Series

## Wafer Check Valve

**Material:** PVC, PP, PVDF  
**Size:** 3" - 10" - PVC  
 3" - 8" PP & PVDF  
**Pressure Rating:** 150psi @ 73° F  
**Seals:** EPDM, VITON  
**Connections:** ANSI 150 lb. Flanged



**ISO 9002 CERTIFIED**

## Engineering Guide Specification

### Materials of Construction:

**PVC:** Class 12454B per ASTM D1784  
**PP:** Class PP 110B76383 per ASTM D4101  
**PVDF:** Type 1 per ASTM D3222

## Special Features

- Wetted parts made from corrosion resistant thermoplastics.
- Pressure rated up to 150 psi.
- Excellent flow rates
- Open-close position indication (yellow optical pin)
- Optional limit switch available as special order
- Nested springs included allow field setting for 50 psi, 90 psi or 150 psi
- Eyelet for valve tagging
- Molded boss for optional drain plug installation
- Mounting link guide holes allow easy installation between flanges
- No spacer required for easy swing clearance
- Mounts between 150# ANSI or equivalent size DIN flanges.

## Pressure/Temperature Graph: Working PSI/Fahrenheit

SIZE	Working Pressure PSI									
	PVC			PP			PVDF			
	20° C 68° F	40° C 104° F	60° C 140° F	40° C 104° F	60° C 140° F	80° C 176° F	40° C 104° F	60° C 140° F	80° C 176° F	100° C 212° F
3"	150	130	70	90	70	58	150	130	90	60
4"	150	130	70	90	70	58	150	130	90	60
6"	150	130	70	90	70	58	150	130	90	60
8"	150	130	70	90	70	58	150	130	90	60
10"	150	130	70	-	-	-	-	-	-	-

## Pressure to Open / Close:

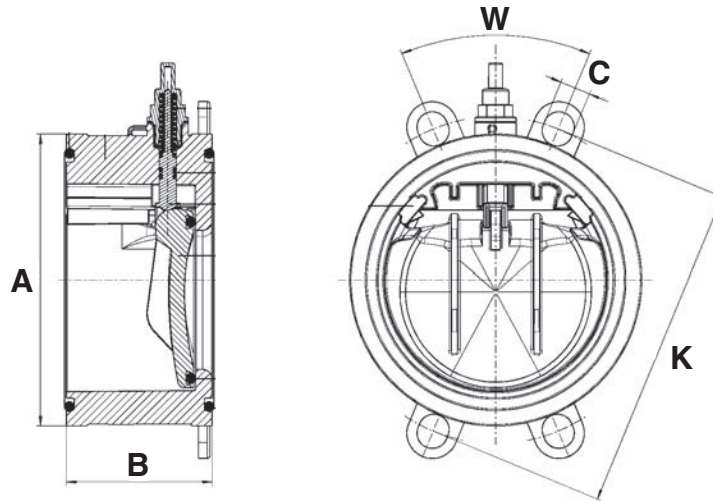
Pressure to Open - PSI			
Size	50 psi	90 psi	150psi
3"	0.1	0.3	0.5
4"	0.1	0.3	0.5
6"	0.1	0.3	0.5
8"	0.1	0.3	0.5
10"	0.1	0.3	0.5

Pressure to Close - PSI	
Size	
3"	1.5
4"	1.5
6"	1.5
8"	1.5
10"	1.5

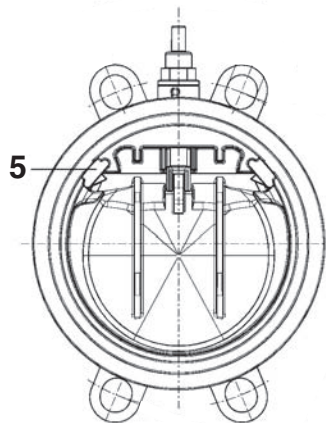
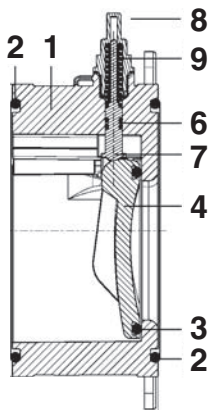
# WC Series

## Dimensional Data

Nom. Size	A	B	C	D	K	W
3"	4.92	2.80	0.79	3.54	5.75 to 6.3	45°
4"	6.10	3.15	0.79	4.33	6.89 to 7.52	45°
6"	8.35	4.17	0.94	6.30	9.21 to 9.53	45°
8"	10.39	5.51	0.94	7.87	11.42 to 11.77	45°
10"	12.80	5.51	1.06	9.84	13.78 to 14.25	30°



## Parts Listing



	Parts Listing:	Material
1	Body	PVC / PP / PVDF
2	O-Ring	EPDM / VITON (FPM)
3	Disk O-Ring	EPDM / VITON (FPM)
4	Disk	PVC / PP / PVDF
5	Disk Retainer	PVC / PP / PVDF
6	Stem O-Ring	EPDM / VITON (FPM)
7	Indicator Stem	PVDF
8	Indicator Cover	CLEAR ABS
9	Spring	304 SS