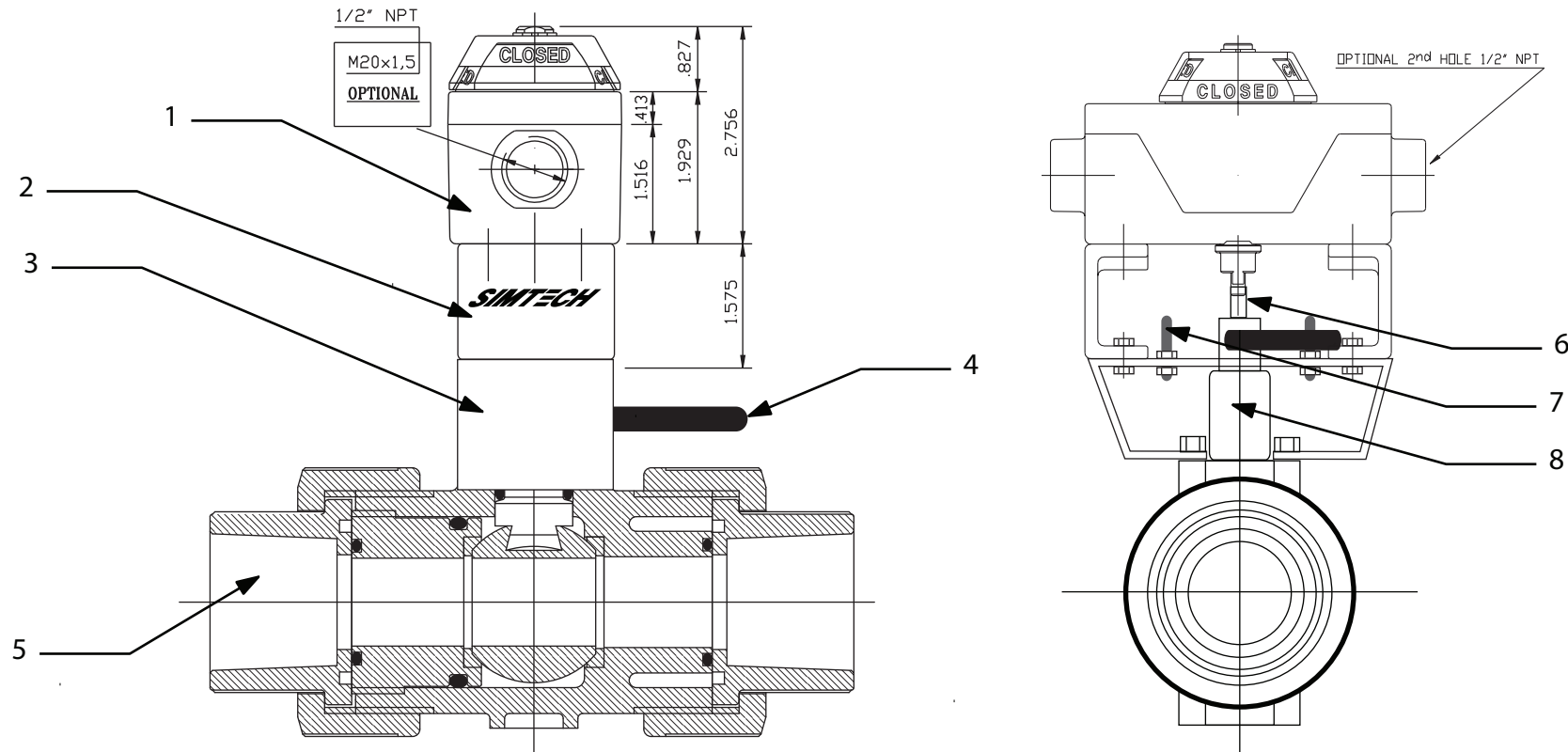


# TBB Series Ball Valve with Limit Switch



Parts Description	
1	Limit Switch (Techo-Polymer Housing, NEMA 4, 4x Rating)
2	Limit Switch Mounting Bracket (Techo-Polymer)
3	Mounting Bracket (Stainless Steel)
4	Operating Lever (Aluminium)
5	Valve Body (True Union Ball Valve)
6	Limit Switch Coupling (Techo-Polymer)
7	Stops (Aluminium)
8	Stem Actuation Coupling (Stainless Steel)

<b>SIMTECH</b> Corrosion Resistant High Purity Piping Systems	
47-A Runway Road, Levittown, PA 19057 Ph (215) 547-0444	
TITLE: <b>VB - Series Ball Valve with Limit switch</b>	
APPROVED BY: <b>E. McDonough / S. Mutton</b>	
SCALE: N/A	<b>.5" Through 4" VB Series True Union Ball</b>
CAD #: N/A	<b>Valve with Limit Switch (Max-Air)</b>
REVISED: 05-29-08	
DATED: 08-08-06	1254.E-1