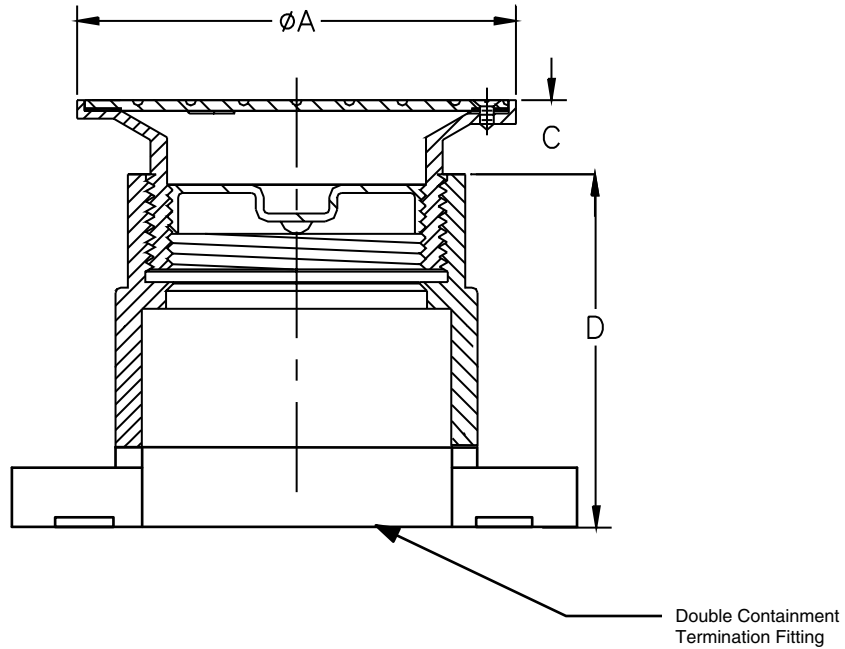



# Z9A-CO1 Adjustable Floor Cleanout



Dimensions In Inches [mm]				'C'	
MODEL NO.	PIPE SIZE	A	D	Min.	Max.
Z9A-CO1-3	3 [76]	5-3/16 [132]	5.46	1	1-1/2
Z9A-CO1-4	4 [102]	5-3/16 [132]	5.56	[25]	[37]

ENGINEERING SPECIFICATION: 9A-CO1

watertight tapered plug and round scoriated stainless steel top marked AWCO (acid waste cleanout).

 Corrosion Resistant High Purity Piping Systems <a href="http://www.SimtechUSA.com">www.SimtechUSA.com</a>	
47-A Runway Road, Levittown, PA 19057 Ph 215-547-0444	
REF: <b>Z9A-CO1 - Adjustable Floor Cleanout</b>	
APPROVED BY: <b>Steve Mutton</b>	
SCALE: N/A	
CAD #: N/A	
REVISED: 2-26-07	Drawing #
DATED: 2-26-07	022607-C-1

Drawing Subject to Change without Notice