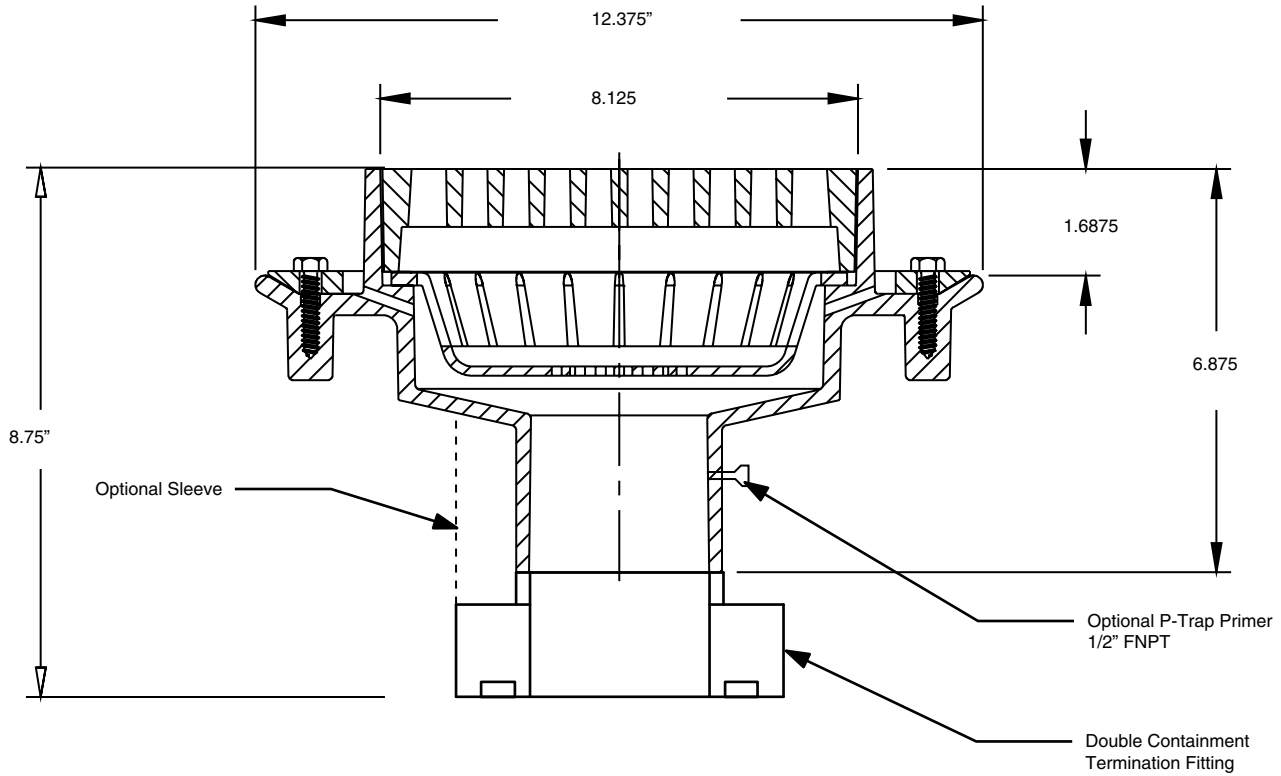



Z9A-FD4 Finished Floor Drain



Dimensions In Inches	
Model No.	A Pipe Size
Z9A-FD4-3	3 [76]
Z9A-FD4-4	4 [102]
Z9A-FD4-6	6 [152]

ENGINEERING SPECIFICATION: Z9A-FD4
 F.R.P.P.-210 Floor Drain-Flame Retardant polypropylene body with bottom outlet, polypropylene combination membrane clamp, sediment bucket and deep flanged grate.

 Corrosion Resistant High Purity Piping Systems www.SimtechUSA.com	
47-A Runway Road, Levittown, PA 19057 Ph 215-547-0444	
REF: Z9A-FD4 Finished Floor Drain	
APPROVED BY: Steve Mutton	
SCALE: N/A	
CAD #: N/A	
REVISED: 2-26-07	Drawing #
DATED: 2-26-07	022607-C-2

Drawing Subject to Change without Notice