

**Pneumatic Shut Off Valve**



ISO 9002 CERTIFIED

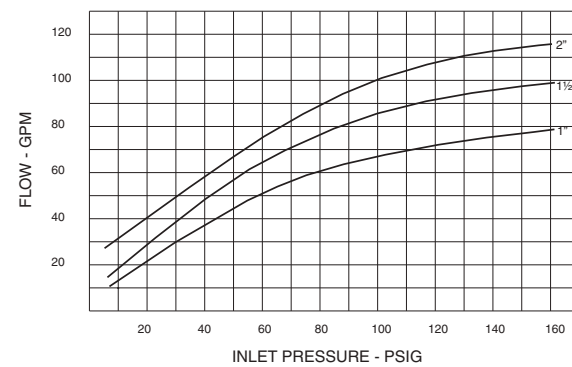
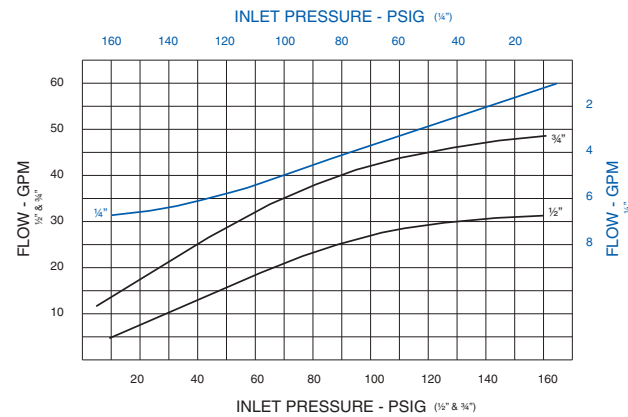
- Material:** PVC, PP, PVDF, PTFE
- Size:** ¼" - 2"
- Pressure Rating:** Vacuum to 150 psi
- Seals:** EPDM, VITON, KALREZ
- Connections:** Female Threaded (¼" - 1")  
Male Threaded (1½" - 2")
- Mounting:** ¼-20 tapped holes (¼" - 1")

**Materials of Construction:**

- PVC:** Type 1, Class 12454B, ASTM D1784
- PP:** Class PP 110B76383, ASTM D4101
- PVDF:** Type 1, ASTM D3222
- PTFE:**
- Seals:** EPDM, FPM, KALREZ

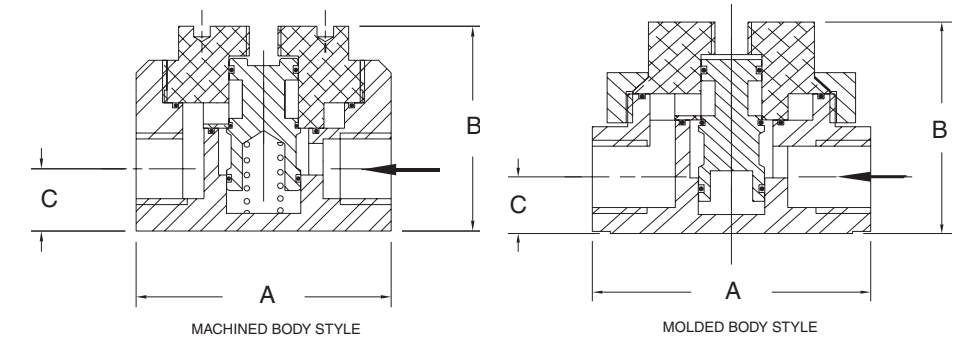
**Guide Specification:** The SIMTECH AOV series air valve features a compact thermoplastic valve available in six models to handle a multitude of piping system functions. This patented valve is designed so there is no metal contact with the fluid, and can be operated in any position. Air actuated at 40 to 80 PSI. Direct acting full flow with top entry for easy maintenance and minimum water hammer. Suitable for most harsh chemicals, pollution control, wet processing stations, plating equipment, chemical processing and water treatment applications, as manufactured by SIMTECH.

**Pressure/Temperature Graph: Working PSI/Fahrenheit**



**Dimensional Data**

Nom. Size	A	B	C	C <sub>v</sub>
¼"	2.0	1.8	0.5	0.58
½"	3.0 (2.9)	2.5 (2.4)	0.7 (.7)	2.42
¾"	3.5 (3.3)	3.0 (2.8)	0.9 (.7)	3.28
1"	4.0 (3.9)	3.5 (3.3)	1.1 (.9)	4.32
1½"	5.0	4.7	1.5	16.10
2"	6.0	5.5	1.7	21.70



( ) Molded Body Dimensions