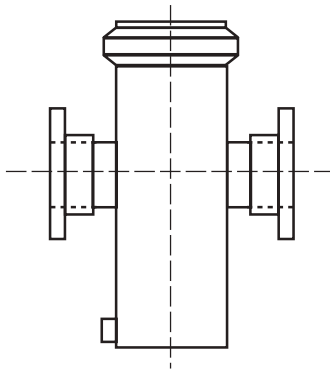


Industrial Basket Strainer



ISO 9002 CERTIFIED

Material:	PVC, CORZAN® CPVC, PP, KYNAR 740® PVDF & Halar
Size:	2" - 24"
Pressure Rating:	150psi @ 73 deg F
Seats:	EPDM, Viton, or PTFE
Seals:	EPDM, Viton, or PTFE
Connections:	150lb Flanged IPS Socket NPT threaded

Materials of Construction:

- PVC:** Type 1, Class 12454B, ASTM D1784
- CPVC:** Type 4, Class 23447, ASTM D1970
- PP:** Class PP 110B76383, ASTM D4101
- PVDF:** Type 1, ASTM D3222
- HALAR:**
- Seals:** EPDM or FPM

Guide Specification: All strainers to be constructed of the materials listed. Strainers are manufactured utilizing full bore inlet and outlet ports. Strainers are structurally reinforced with a composite laminate construction. Strainers are supplied with either quick lock design or flanged top. Strainers to be supplied in either a simplex or duplex configuration, as manufactured by SIMTECH.

Features

- Corrosion resistant materials eliminate the need for expensive exotic metals
- Accessible top cover design makes inline maintenance easy
- IPA standard perforations (custom perforations also available)
- Engineered for the lowest practical pressure drop through strainer
- Duplex strainer design eliminates any down time.
- Visual gauges available
- Pressure switches with audible & visual alarms
- Pressure switches with contact closure to operate valves, pumps and other equipment

Pressure/Temperature Graph: Working PSI/Fahrenheit

- 4 body designs available; Inline (fig. 1), offset (fig. 2), angle offset (fig. 3) and boot (fig. 4)

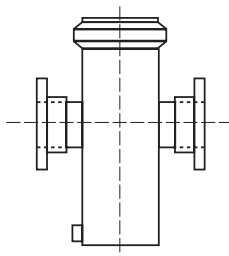


Figure 1
Inline Style

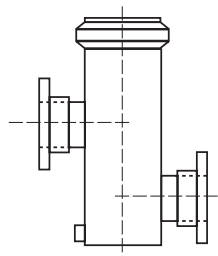


Figure 2
Offset Style

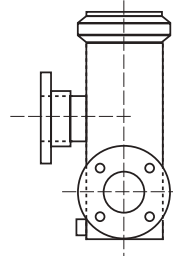


Figure 3
Angle Offset Style

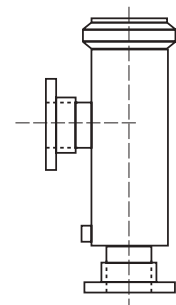


Figure 4
Boot Style



Dimensional Data

Simplex

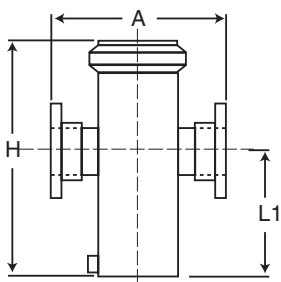


Figure 1
Inline Style

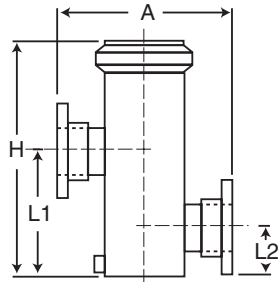


Figure 2
Offset Style

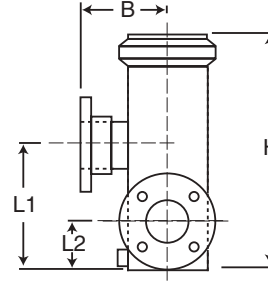


Figure 3
Angle Offset Style

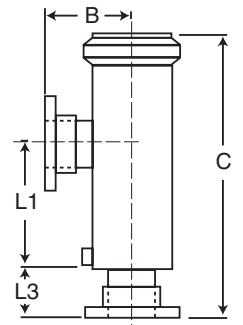
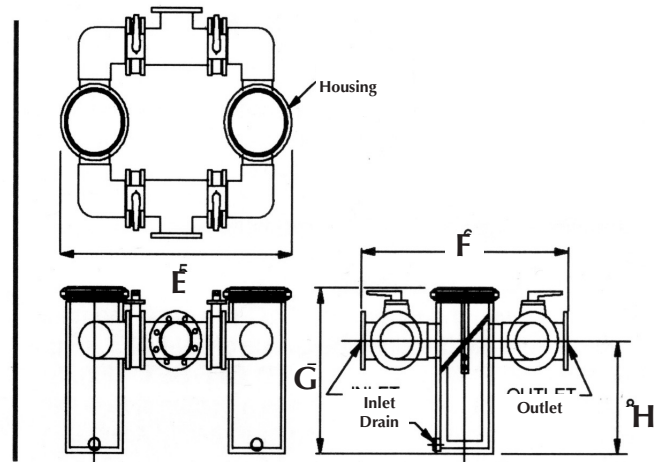
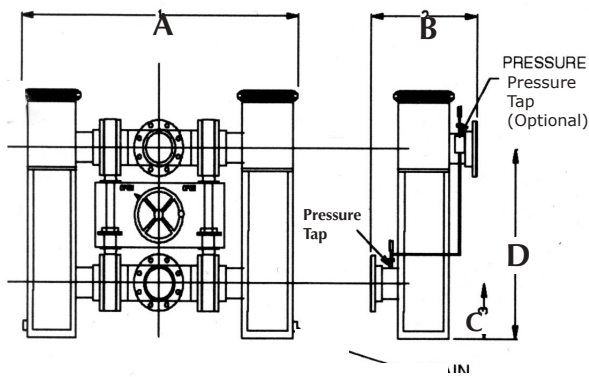


Figure 4
Boot Style

Nom. Size	A	B	C	H	L1	L2	L3
2"	11.00	5.50	24.25	18.50	10.50	3.50	16.25
3"	11.00	5.50	24.25	18.50	10.50	4.25	16.25
4"	13.75	6.88	27.25	21.25	11.63	5.00	17.63
6"	18.00	9.00	33.25	26.50	16.00	6.00	22.75
8"	20.00	10.00	42.50	34.50	21.50	7.25	29.50
10"	22.00	11.00	47.00	37.50	23.00	8.50	32.50

Duplex



Dimensions								
d/Inches	A	B	C	D	E	F	G	H
3	35.000	10.875	6	26.0	25.5	31.25	17.125	10.500
4	43.750	14.500	10	30.0	30.0	36.00	20.250	11.625
5	62.375	25.250	10	30.0	36.0	42.00	23.500	16.000
6	62.375	25.250	10	30.0	36.0	42.00	23.500	16.000
8	67.125	26.250	12	37.5	41.0	46.00	32.000	21.400
10	70.750	24.000	18	42.0	43.0	48.00	35.500	21.000
12	85.000	30.000	30	48.0	48.0	54.00	44.750	31.625