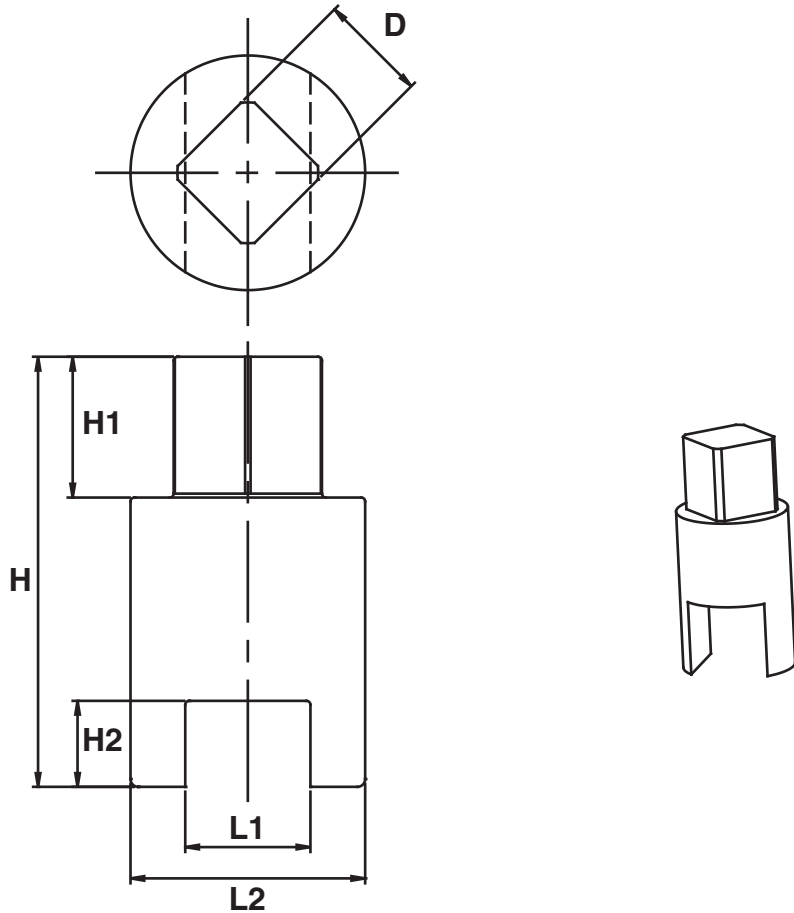


1/2 Through 2" TBB Series Actuator Coupling



Size	D	H	H1	H2	L1	L2
1/2	0.354	1.181	0.374	0.343	0.394	0.734
3/4	0.433	1.575	0.512	0.551	0.472	0.787
1	0.433	1.575	0.512	0.551	0.472	0.787
1 1/4	0.551	2.165	0.709	0.433	0.630	1.181
1 1/2	0.551	2.165	0.571	0.650	0.787	1.339
2	0.551	1.634	0.571	0.650	0.787	1.339

Dimensions in Inch

Size	D	H	H1	H2	L1	L2
1/2	9	30	9.5	8.7	10	18.65
3/4	11	40	13	14	12	20
1	11	40	13	14	12	20
1 1/4	14	55	18	11	16	30
1 1/2	14	55	14.5	16.5	20	34
2	14	41.5	14.5	16.5	20	34

Dimensions in MM

SIMTECH

www.SimtechUSA.com

1-877-777-2467

Drawing
Details

REF: 1/2" - 2" Ball Valve Actuation Coupling
 DRAWING #: 101707-1
 CREATED: 10/17/07
 REVISED: 5/07/14
 APPROVED BY: Steve Mutton

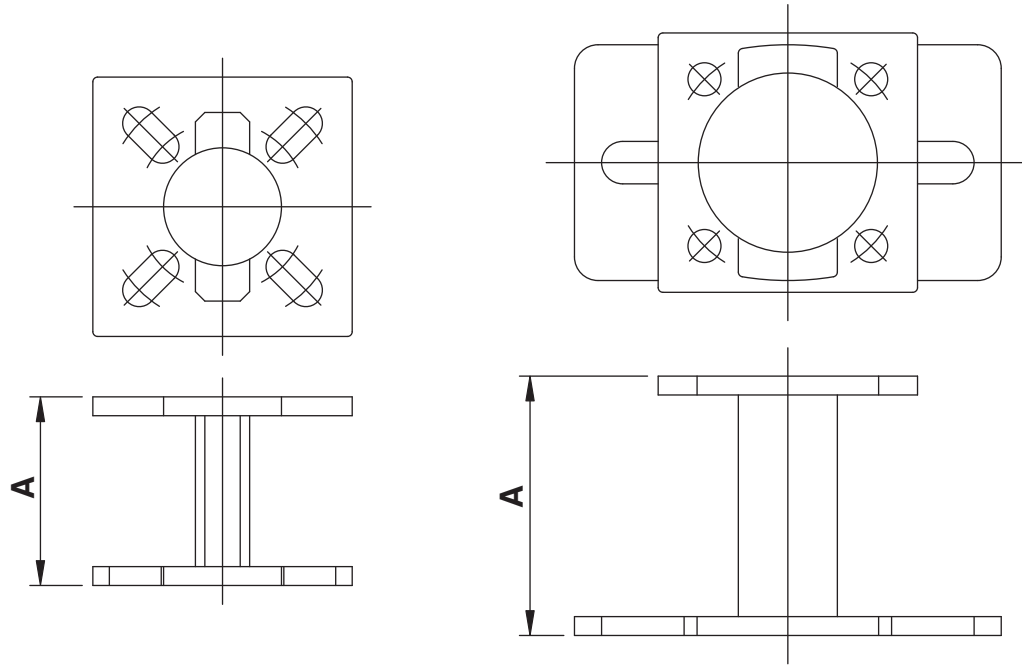
Job
Details

CUSTOMER: _____
 JOB NAME: _____
 JOB LOCATION: _____

Customer
Approval

COMPANY: _____
 SIGNATURE: _____
 DATE: _____

1/2 Through 2" TBB Series Actuator Bracket



1/2" THROUGH 1"

1 1/4" THROUGH 2"

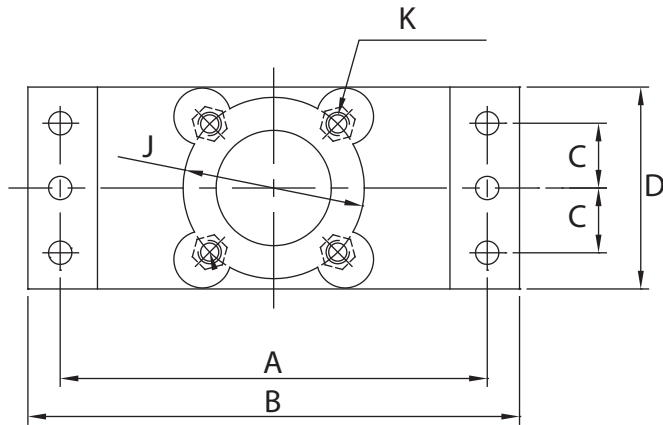
Size	A	Mounting Pattern
1/2	1.102	F03 / F04
3/4	1.575	F03 / F04 / F05
1	1.575	F03 / F04 / F05
1 1/4	2.165	F05
1 1/2	2.165	F05
2	2.165	F05

Dimensions in Inch

Size	A	Mounting Pattern
1/2	28	F03 / F04
3/4	40	F03 / F04 / F05
1	40	F03 / F04 / F05
1 1/4	55	F05
1 1/2	55	F05
2	55	F05

Dimensions in MM

2½, 3, 4" TBB Series Actuator Bracket

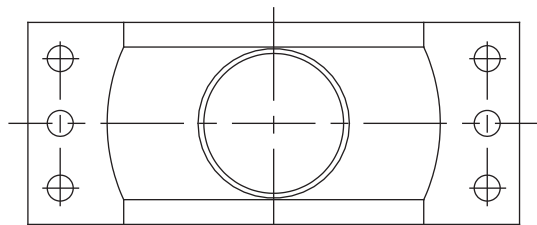
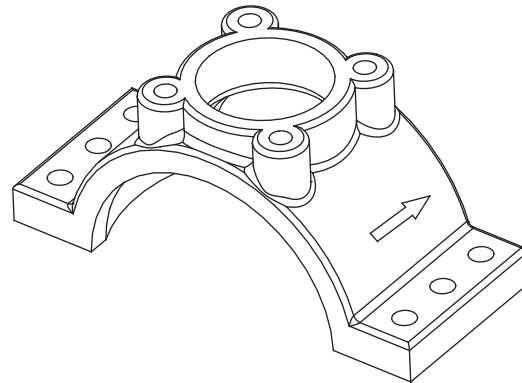
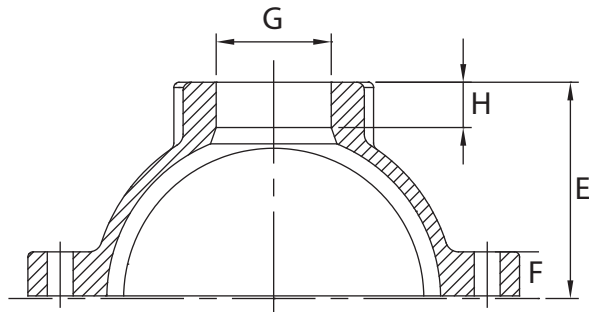


Size	A	B	C	D	E	F	G	H	I	J	K
2½"	165	190	25	78	83.5	17	44.5	17.5	70	70	M8
3"	185	210	28	85	91	17	50	16.2	78	78	M8
4"	245	270	35	110	130	17	77	28.61	93	93	M10

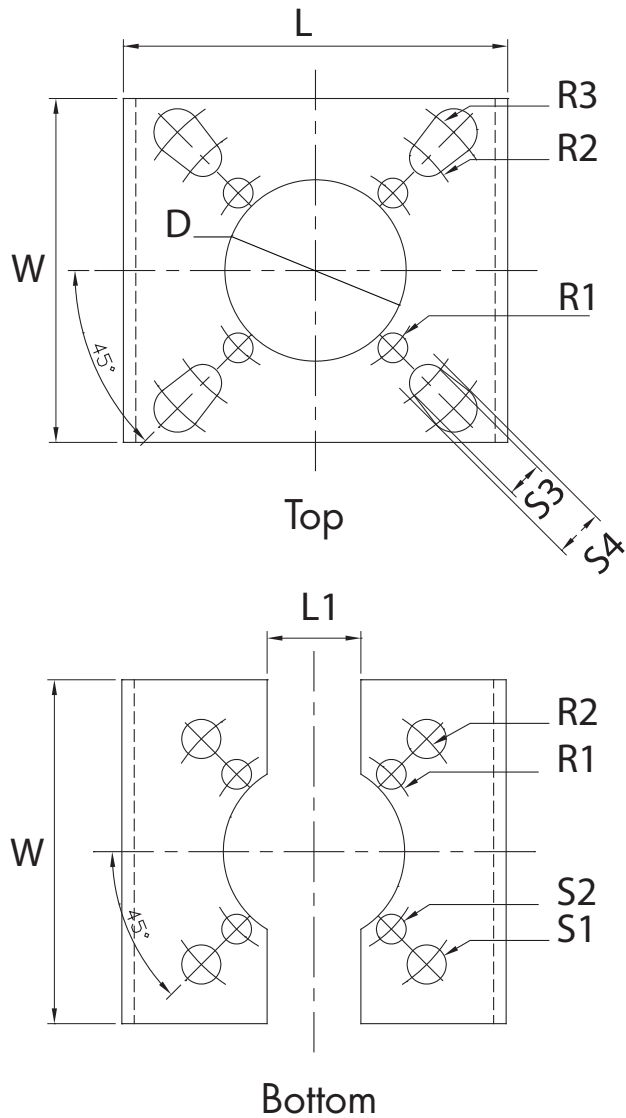
Dimensions in MM

Size	A	B	C	D	E	F	G	H	I	J	K
2½"	6.496	7.480	0.984	3.071	3.287	0.669	1.752	0.689	2.756	2.756	M8
3"	7.283	8.268	1.102	3.346	3.583	0.669	1.969	0.638	3.071	3.071	M8
4"	9.646	10.630	1.378	4.331	5.118	0.669	3.031	1.126	3.661	3.661	M10

Dimensions in Inch



2½, 3, 4" TBB Series Actuator Mounting Pad



Size	D	H	L	L1	R1	R2	R3	S1	S2	S3	S4	T	W
2½" to 4"	58	70.5	123	30	70	102	125	12.5	9.5	12.5	16.5	4	110

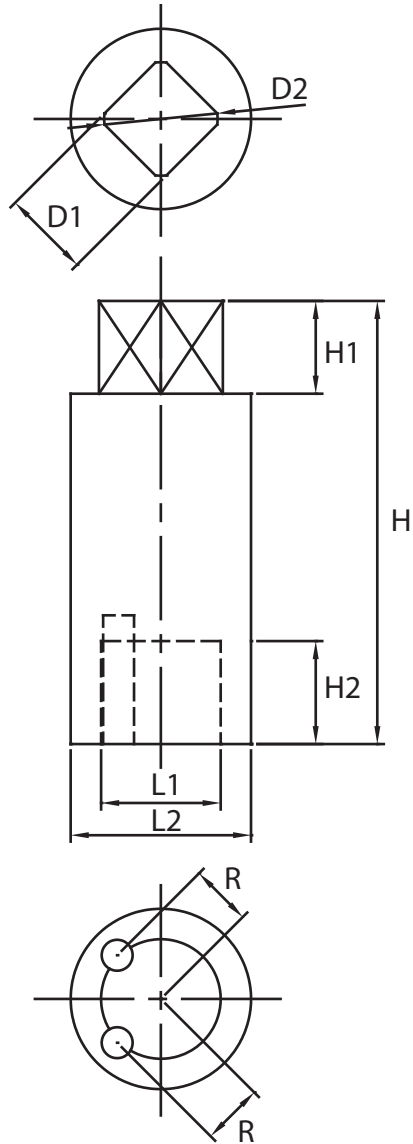
Dimensions in MM

Size	D	H	L	L1	R1	R2	R3	S1	S2	S3	S4	T	W
2½" to 4"	2.283	2.776	4.843	1.181	2.756	4.016	4.921	0.492	0.374	0.492	0.650	0.157	4.331

Dimensions in Inch

ISO 5211 Mounting Pattern		
R1	ISO F07	2.756
R2	ISO F10	4.016
R3	ISO F12	4.921

2½, 3, 4" TBB Series Actuator Coupling



Size	D1	D2	H	H1	H2	L1	L2	R1	ISO
2½	17	22	86	18	20	23.2	35	12	F07
3"	22	28	87	23	25	28.2	40	14.7	F10
4"	27	35	92	27	26	32.5	45	16	F12

Dimensions in MM

Size	D1	D2	H	H1	H2	L1	L2	R1	ISO
2½	0.669	0.866	3.386	0.709	0.787	0.913	1.378	0.472	F07
3"	0.866	1.102	3.425	0.906	0.984	1.110	1.575	0.579	F10
4"	1.063	1.378	3.622	1.063	1.024	1.280	1.772	0.630	F12

Dimensions in Inch

SIMTECH
www.SimtechUSA.com
1-877-777-2467

**Drawing
Details**

REF: 2½", 3", 4" TBB Series Actuator Coupling
DRAWING #: 101707-C-2
CREATED: 10/17/06
REVISED: 8/11/10
APPROVED BY: Steve Mutton

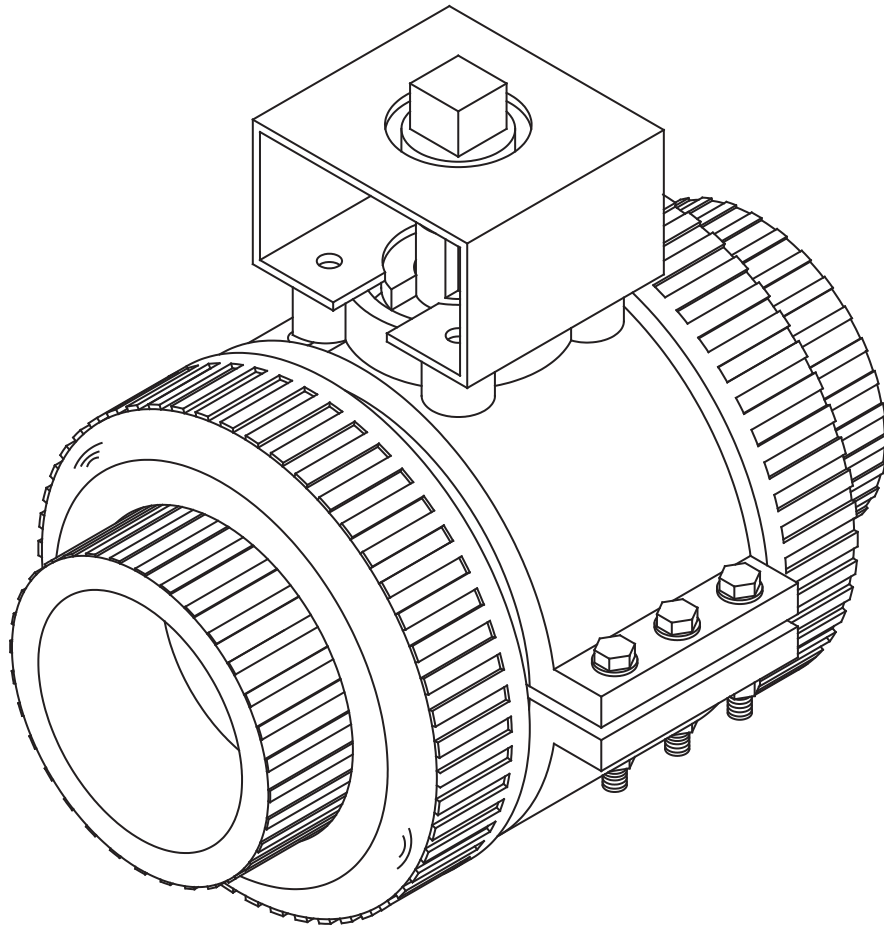
**Job
Details**

CUSTOMER: _____
JOB NAME: _____
JOB LOCATION: _____

**Customer
Approval**

COMPANY: _____
SIGNATURE: _____
DATE: _____

2½, 3, 4" TBB Series Actuator Ready Ball Valve



SIMTECH

www.SimtechUSA.com

1-877-777-2467

**Drawing
Details**

REF: 2½, 3, 4" TBB Series Actuator Ready ISO Drawing
DRAWING #: 101707-C-4
CREATED: 10/17/06
REVISED: 8/11/10
APPROVED BY: Steve Mutton

**Job
Details**

CUSTOMER: _____
JOB NAME: _____
JOB LOCATION: _____

**Customer
Approval**

COMPANY: _____
SIGNATURE: _____
DATE: _____