

## Solenoid Valve - Pilot Operated



ISO 9002 CERTIFIED

<b>Material:</b>	PVC, PP, PTFE
<b>Size:</b>	½" - 2"
<b>Seals:</b>	EPDM, FPM
<b>Diaphragm:</b>	PTFE
<b>Operating Pressure:</b>	4.3-87psi
<b>Voltage:</b>	110VAC, 230VAC 24V DC
<b>Coil Capacity:</b>	6.5VA, 5 Watts
<b>Enclosure:</b>	IP65 / NEMA 4x
<b>Operation:</b>	Normally Closed, Normally Open
<b>Operating Time:</b>	Opening: 30 ms - 150 ms Closing: 50 ms - 1 sec.
<b>Connections:</b>	Socket Threaded

### Materials of Construction:

- PVC:** Type 1, Class 12454B, ASTM D1784
- PP:** Class PP 110B76383, ASTM D4101
- PTFE:** Type 1, D3294
- Seals:** EPDM, FPM

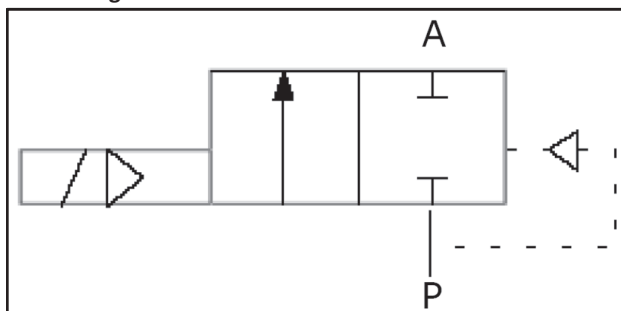
### Flow Rate in Gallons per minute

SIZE	½"	¾"	1"	1¼"	1½"	2"
<b>Cv</b>	59.7	188.8	198.5	447.0	462.4	570.3

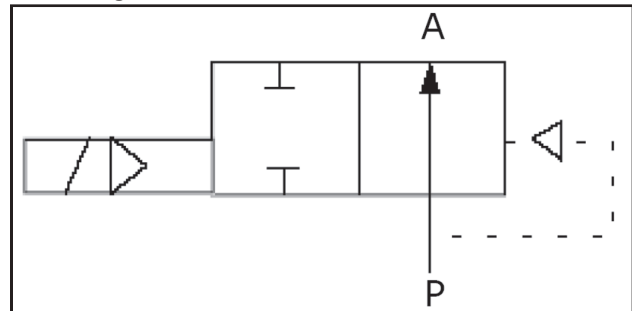
Cv is the number of gallons per minute of water at a temperature of 68°F that will flow through a valve with a 1 psi pressure differential at a specified travel.

### Wiring Diagram

Circuit diagram NC



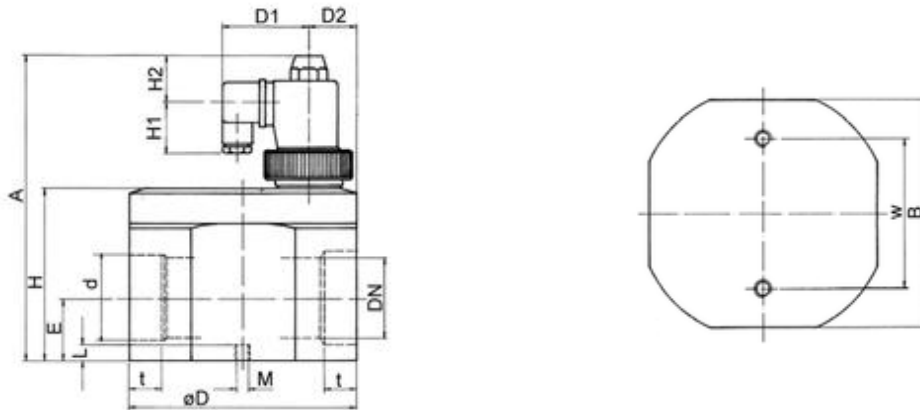
Circuit diagram NO



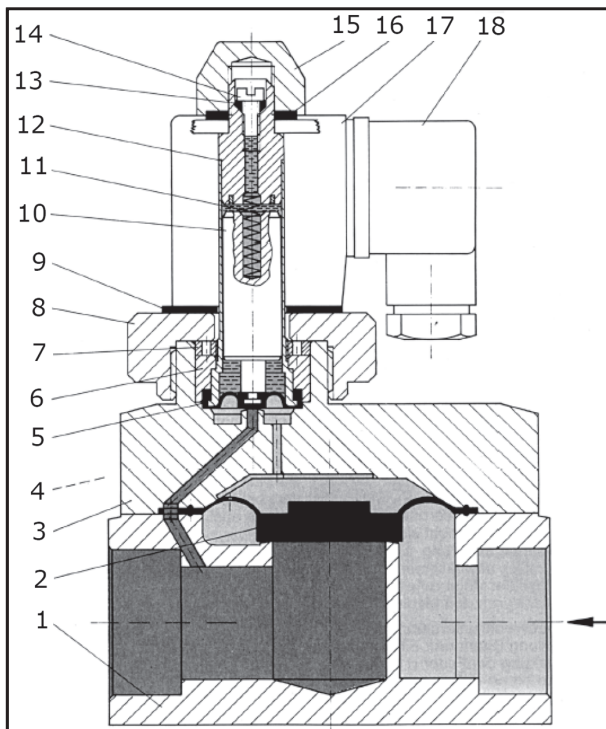


## Dimensional Data

Nom. Size	A	B	d	D	D1	D2	E	H	H1	H2	L	M	t	w
½"	5.08	2.44	0.79	2.91	2.17	1.18	0.63	1.93	1.30	1.18	0.24	M5	0.57	1.57
¾"	5.63	3.70	0.98	3.86	2.17	1.18	0.91	2.48	1.30	1.18	0.39	M6	0.63	2.36
1"	5.63	3.70	1.26	3.86	2.17	1.18	0.91	2.48	1.30	1.18	0.39	M6	0.63	2.36
1¼"	6.73	4.88	1.57	4.88	2.17	1.18	1.22	3.58	1.30	1.18	0.47	M8	0.79	3.15



## Part Listing



Position	Quantity	Description
1	1	valve body
2	1	diaphragm
3	1	bonnet
4	1	screw
5	1	pilot diaphragm
6	1	pressure disc
7	1	Lift limit
8	1	union nut
9	1	flat sealing ring
10	1	plunger
11	1	pressure spring
12	1	plunger guide tube
13	1	O-ring
14	1	oil screw
15	1	cap nut
16	1	flat sealing ring
17	1	magnet coil
18	1	connector plug